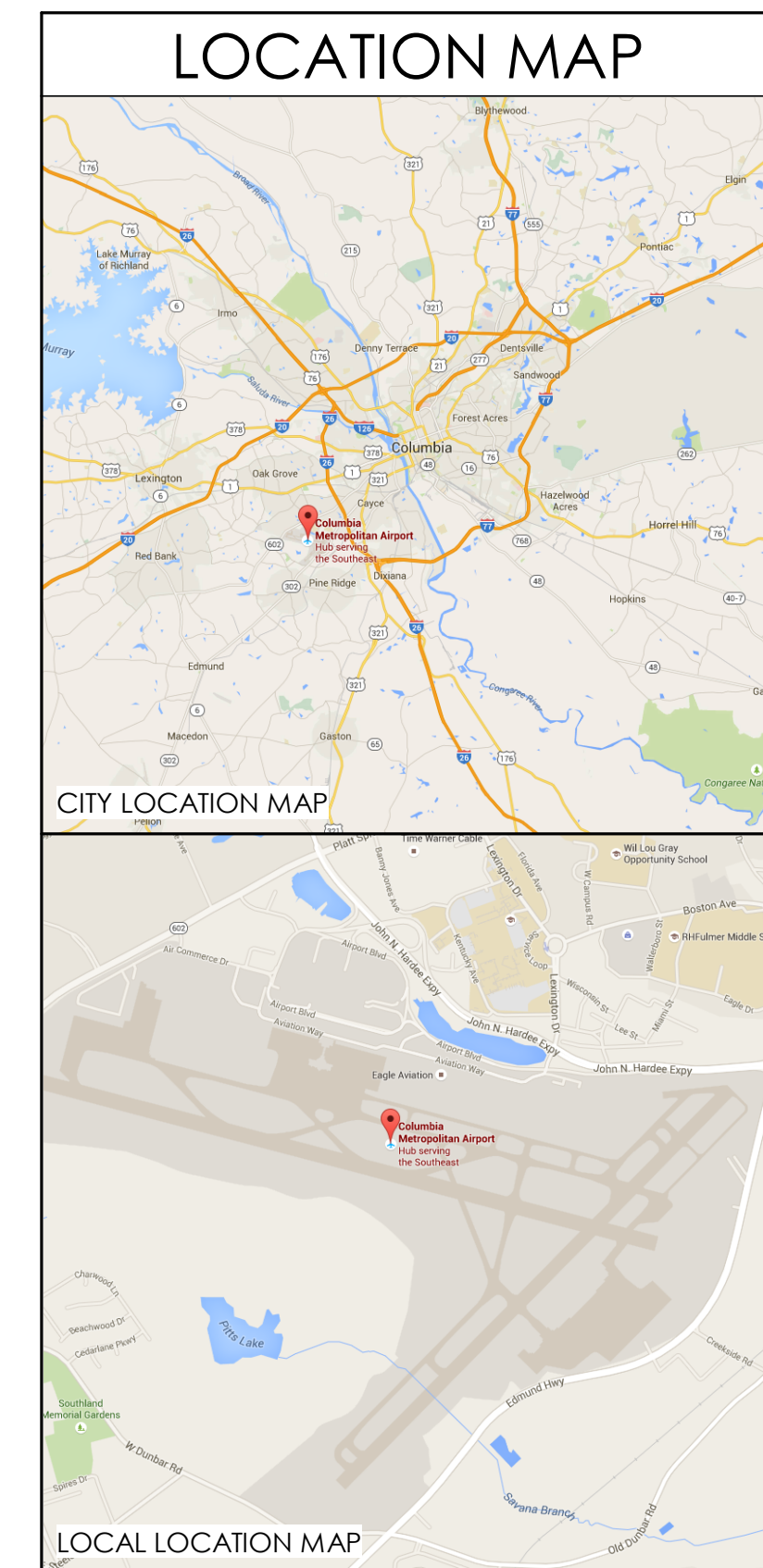


2019 INBOUND BHS IMPROVEMENTS

COLUMBIA METROPOLITAN AIRPORT
3250 AIRPORT BOULEVARD
WEST COLUMBIA, SC 29170



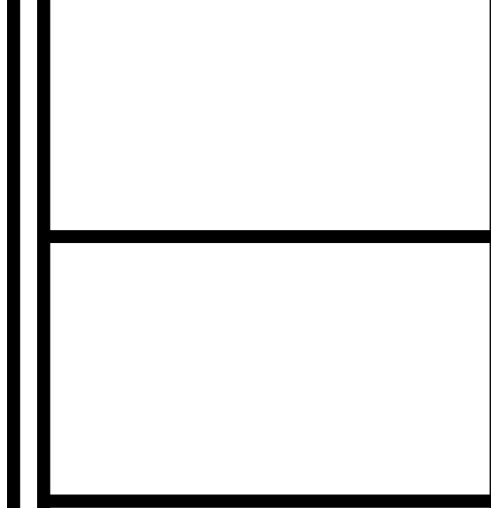
SYMBOLS	
	BUILDING SECTION MARKER
	WALL SECTION MARKER
	DETAIL MARKER
	DETAIL MARKER
	BUILDING ELEVATION MARKER
	INTERIOR ELEVATION MARKER
	VIEW CALLOUT
	BUILDING GRID LINE
	HEIGHT MARKER
	WALL TYPE DESIGNATOR
	KEYNOTE DESIGNATOR
	WINDOW TAG CW / SF TAG
	CW / SF PANEL TAG
	MOUNTING HEIGHT DESIGNATOR
	REVISION DESIGNATOR
	CENTER LINE
	DOOR TAG

MATERIALS	
	EXISTING CONSTRUCTION
	EARTH
	CAST-IN-PLACE CONCRETE
	PRECAST CONCRETE
	CONCRETE BLOCK/CMU
	SAND, CONC., GYPSUM
	GRAVEL, BALLAST
	BITUMINOUS
	STONE
	BRICK
	STEEL, METAL STUD
	PLYWOOD
	FINISH WOOD
	ROUGH WOOD
	PARTICLE BOARD/O.S.B.
	BATT INSULATION
	RIGID INSULATION
	FOAM INSULATION
	EIFS
	PLASTER ON LATH
	GYPSUM BOARD
	ACOUSTIC CEILING TILE

ABBREVIATIONS			
ABV	ABOVE	GWB	GYPSUM WALL BOARD
ACP	ACOUSTICAL CEILING PANEL	HM	HOLLOW METAL
AFF	ABOVE FINISHED FLOOR	HT	HEIGHT
ALUM	ALUMINUM	ID	INSIDE DIAMETER
BLDG	BUILDING	INSUL	INSULATION
BLKG	BLOCKING	INT	INTERIOR
BO	BOTTOM OF	JT	JOINT
BP	BID PACKAGE	KO	KNOCK OUT
BRKT	BRACKET	LOC	LOCATION
CIP	CAST IN PLACE	MAX	MAXIMUM
CLG	CEILING	MECH	MECHANICAL
CMU	CONCRETE MASONRY UNIT	MFR	MANUFACTURER
CONC	CONCRETE	MIN	MINIMUM
CONT	CONTINUOUS	MNTD	MOUNTED
COORD	COORDINATE	MOP	MASONRY OPENING
CT	CERAMIC TILE	MP	METAL PANEL
CW	CURTAIN WALL	MR	MOISTURE RESISTANT
DET	DETAIL	MTL	METAL
DIA	DIAMETER	MULL	MULLION
DIM	DIMENSIONS	NIC	NOT IN CONTRACT
DN	DOWN	NOM	NOMINAL
DSP	DOWN SPOUT	NTS	NOT TO SCALE
EA	EACH	OC	ON CENTER
EJ	EXPANSION JOINT	OD	OUTSIDE DIAMETER
EL	ELEVATION	OFD	OVER FLOW DRAIN
ELEC	ELECTRICAL	OFS	OVER FLOW SCUPPER
EQ	EQUAL	OH	OVERHEAD
EQPT	EQUIPMENT	PC	PRECAST
EXIST	EXISTING	PLAM	PLASTIC LAMINATE
EXP	EXPOSED	PLYWD	PLYWOOD
EXT	EXTERIOR	PREFIN	PREFINISHED
FAF	FLUID APPLIED FLOOR	PT	PAINT
FD	FLOOR DRAIN	RAD	RADIUS
FDN	FOUNDATION	RD	ROOF DRAIN
FE	FIRE EXTINGUISHER	RDL	ROOF DRAIN LEADER
FF	FINISH FLOOR	REINF	REINFORCED/REINFORCING
FIN	FINISH	REQ	REQUIRED
FLR	FLOOR	REV	REVERSE
FO	FACE OF	RM	ROOM
FV	FIELD VERIFY	RO	ROUGH OPENING
FTG	FOOTING	SHT	SHEET
GALV	GALVANIZED	SIM	SIMILAR
GC	GENERAL CONTRACTOR	SLR	SEALED CONCRETE
		SP	SPACE
		SS	SOLID SURFACE
		SSTL	STAINLESS STEEL
		STL	STEEL
		STRUCT	STRUCTURE
		TAC	TEXTURED ACRYLIC COATING
		TEMP	TEMPORARY
		TO	TOP OF
		TS	TUBE STEEL
		TYP	TYPICAL
		UG	UNDERGROUND
		UNO	UNLESS NOTED OTHERWISE
		VB	VINYL BASE
		VERT	VERTICAL
		VFY	VERIFY
		VR	VAPOR RETARDER
		W/	WITH
		WD	WOOD
		WM	WALK-OFF MAT
		WS	WINDOWSHADE

SHEET INDEX	
GENERAL	
G001	TITLE SHEET
G101	REFERENCE PLANS
ARCHITECTURAL	
A001	FLOOR PLAN - BAGGAGE CLAIM PHASING
A002	RCP - BAGGAGE CLAIM PHASING
BHS	
B.IS.01	ABBREVIATIONS, GENERAL NOTES AND DRAWING INDEX
B.IS.02	CONVEYOR LEGENDS, SYMBOLS AND MOTOR LIST
B.IS.03	CONVEYOR LEGENDS, SYMBOLS AND MOTOR LIST
B1.1.00	OVERALL PLAN VIEW
B1.1.01	PLAN VIEW - LOAD CONVEYORS
B1.1.02	PLAN VIEW - IB1 AND CD1
B1.1.03	PLAN VIEW - IB2 AND CD2
B1.1.04	PLAN VIEW - IB3 AND CD3
B4.1.01	ELEVATIONS - LOAD CONVEYORS - IB1, IB2 AND IB3
B5.1.00	ELECTRICAL DEVICE STANDARDS
B5.1.01	PLAN VIEW - ELECTRICAL COMPONENTS
B5.1.02	PLAN VIEW - ELECTRICAL COMPONENTS
B6.1.00	FLOOR COMPONENT DETAILS
B6.1.01	DOOR DETAILS

PROJECT TEAM	
CIVIL ENGINEER / PROGRAM MANAGER	
FOTH INFRASTRUCTURE & ENVIRONMENT, LLC 101 TRADE ZONE DRIVE, STE 16A COLUMBIA, SC 29170 PH: (803) 250-4846	
ARCHITECT	
MILLER DUNWIDDIE 100 WASHINGTON AVENUE SOUTH, SUITE 500 MINNEAPOLIS, MN 55401 PH: (612) 337-0000 FAX: (612) 337-0031	
BAGGAGE HANDLING SYSTEM CONSULTANT	
JSM & ASSOCIATES 730 EAST 5TH AVENUE MOUNT DORA, FL 32757 PH: (352) 383-2600	



CONFORM SET
REPRINTED
8/2/2019

COLUMBIA METROPOLITAN
AIRPORT
2019 INBOUND BHS
IMPROVEMENTS

No.	Date	Description
1		CONFORM SET

JOB NUMBER: FILE1802
DESIGNED BY: JTS
CHECKED BY: JTS
DRAWN BY: ECS
CAD DATE: 04/22/19

DRAWING NAME:
TITLE SHEET

PROJECT NUMBER: FILE1802
PROJECT DATE: 4/22/2019
DRAWING NUMBER: G001

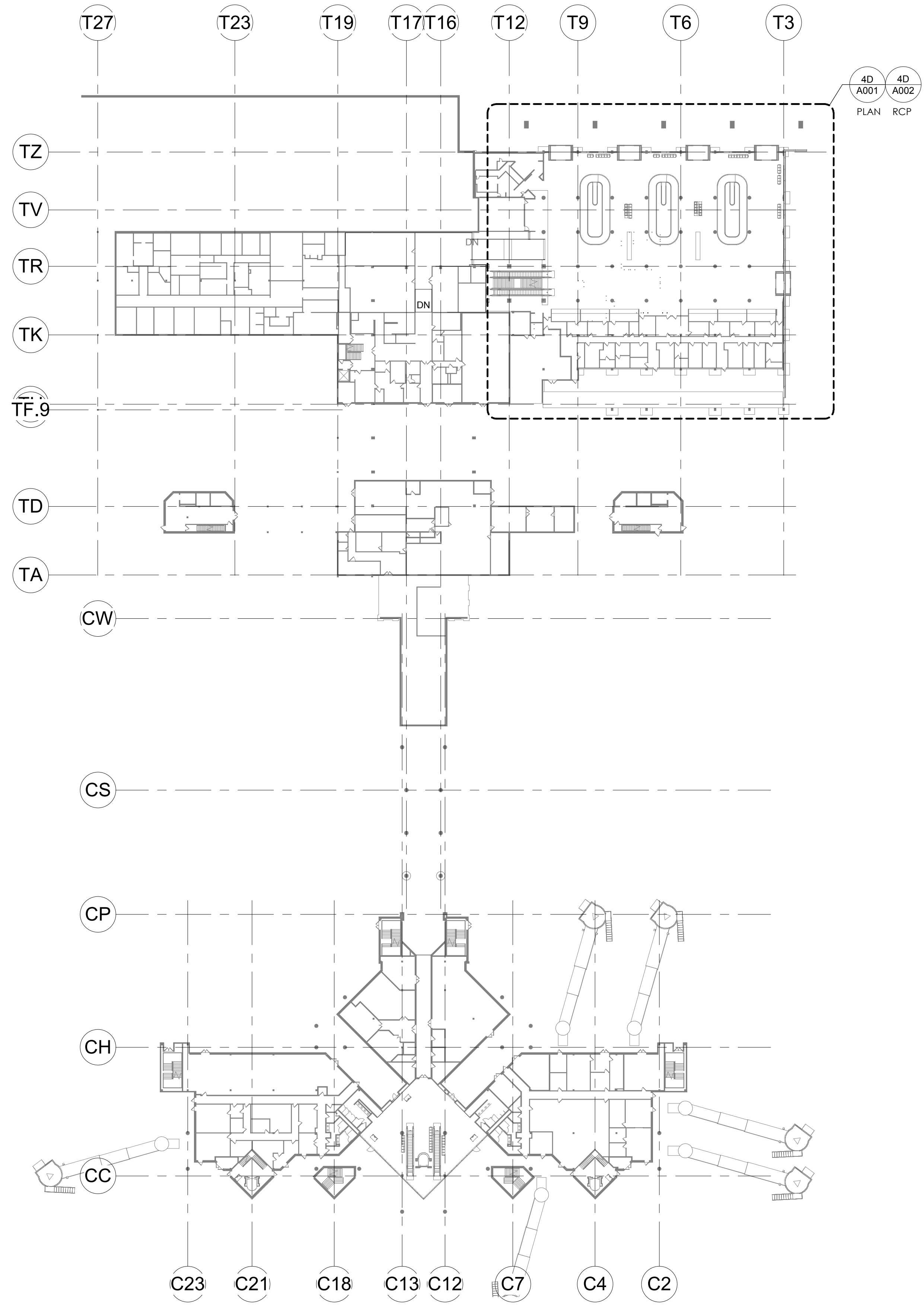
**COLUMBIA METROPOLITAN
AIRPORT
2019 INBOUND BHS
IMPROVEMENTS**

No.	Date	Description
1		CONFORM SET

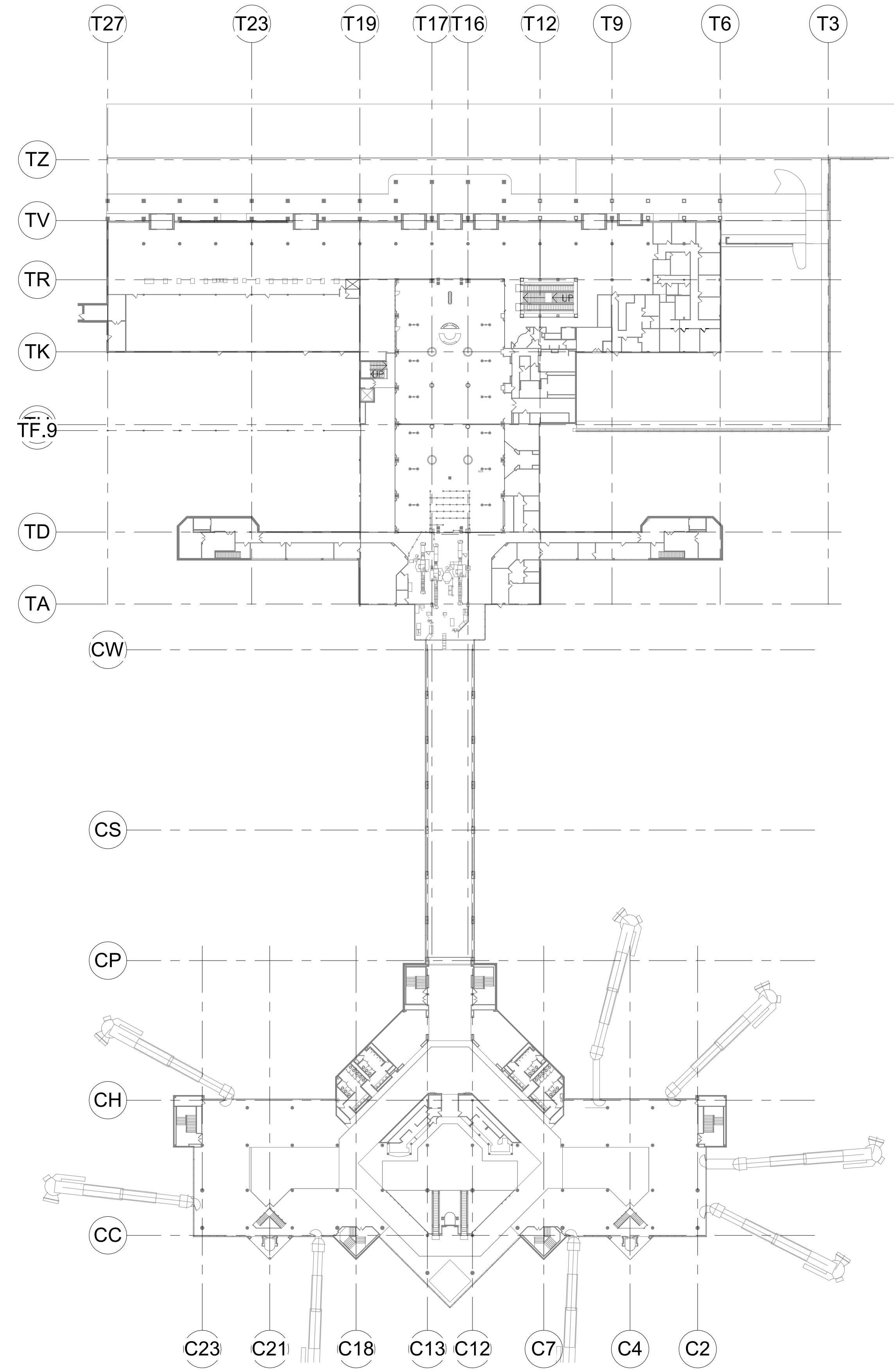
JOB NUMBER: FIE1802
DESIGNED BY: JTS
CHECKED BY: JTS
DRAWN BY: ECS
CAD DATE: 04/22/19

DRAWING NAME:
**REFERENCE
PLANS**

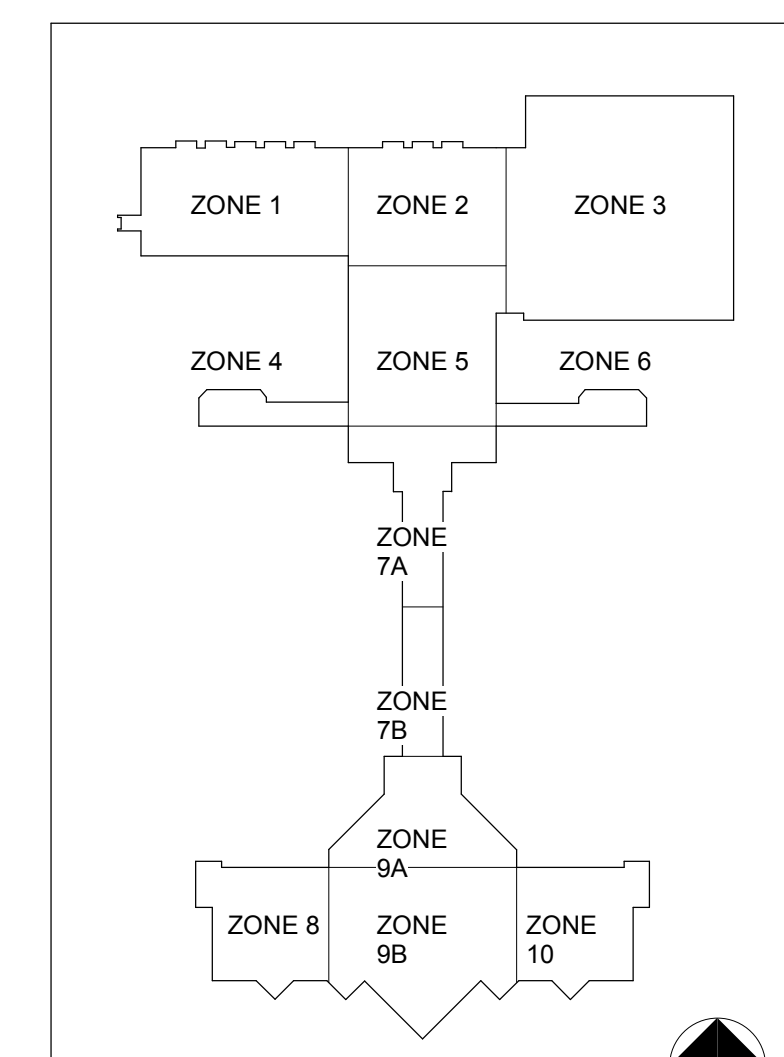
PROJECT NUMBER: **FIE1802**
PROJECT DATE: **4/22/2019**
DRAWING NUMBER: **G101**



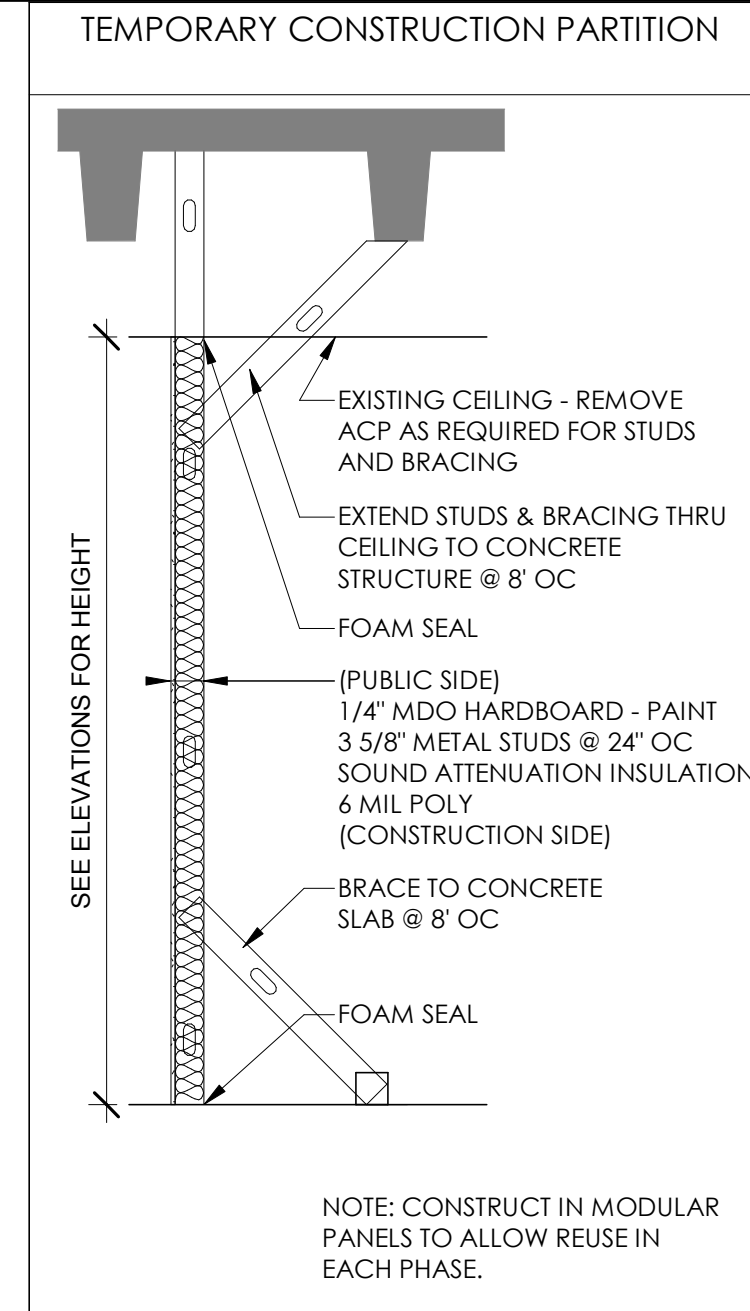
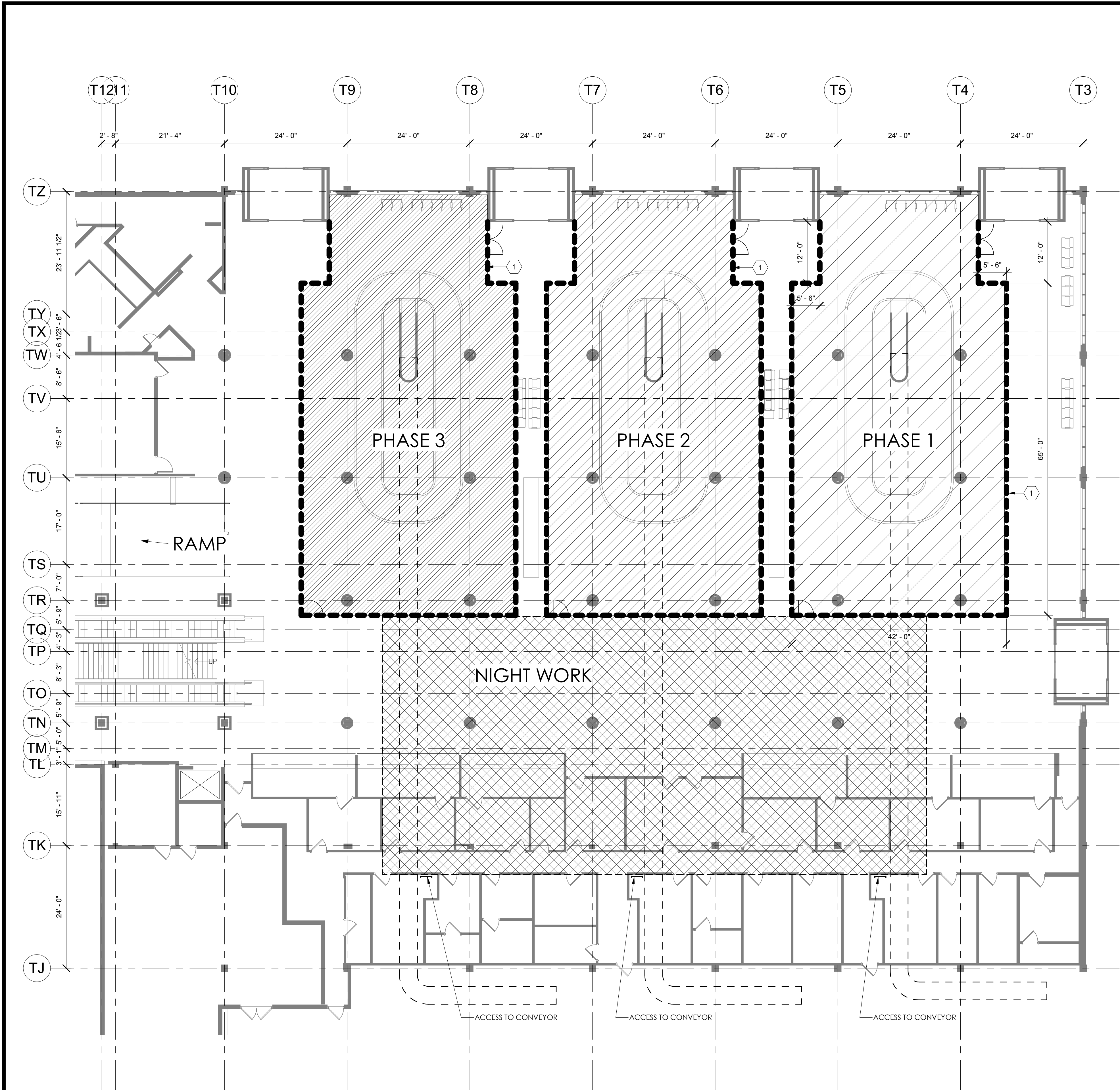
4D
G101 REFERENCE PLAN - LEVEL 1
1" = 50'-0"



2D
G101 REFERENCE PLAN - LEVEL 2
1" = 50'-0"



KEY PLAN



TEMPORARY CONSTRUCTION AND PHASING GENERAL NOTES:

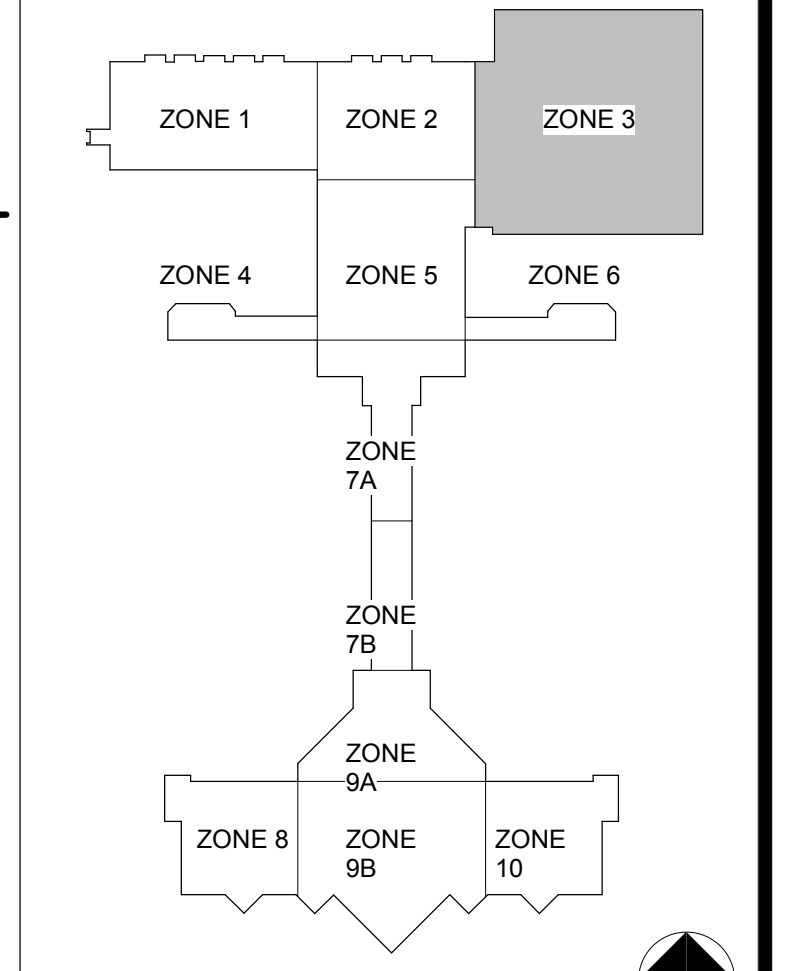
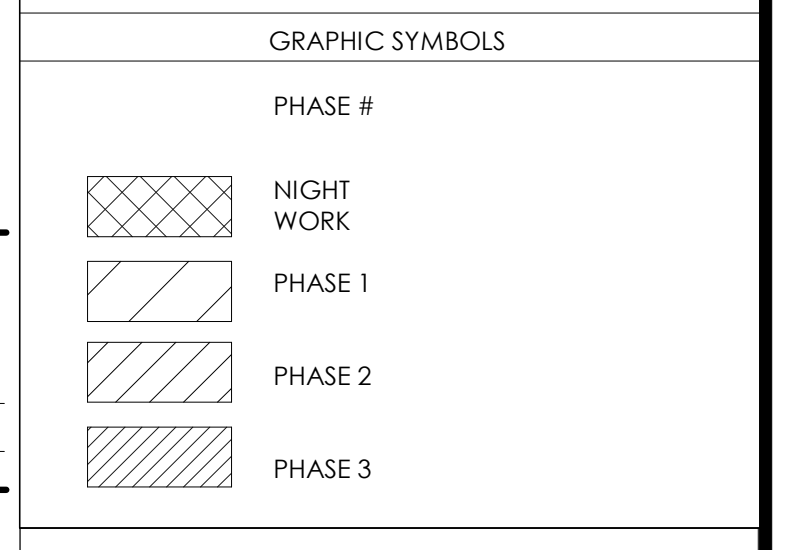
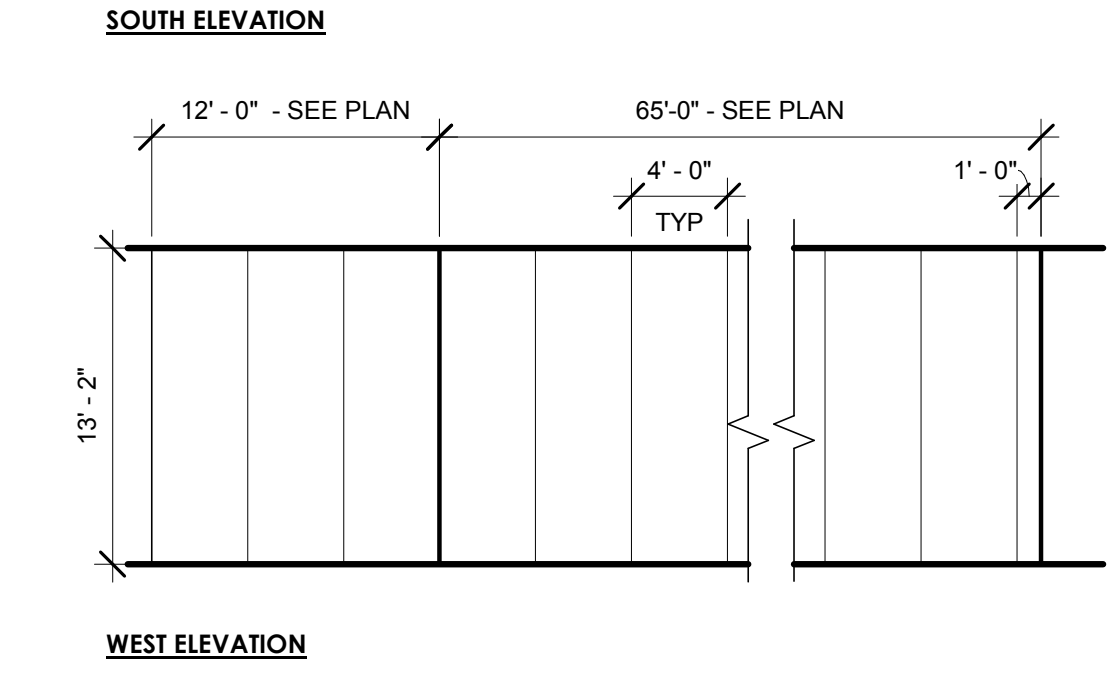
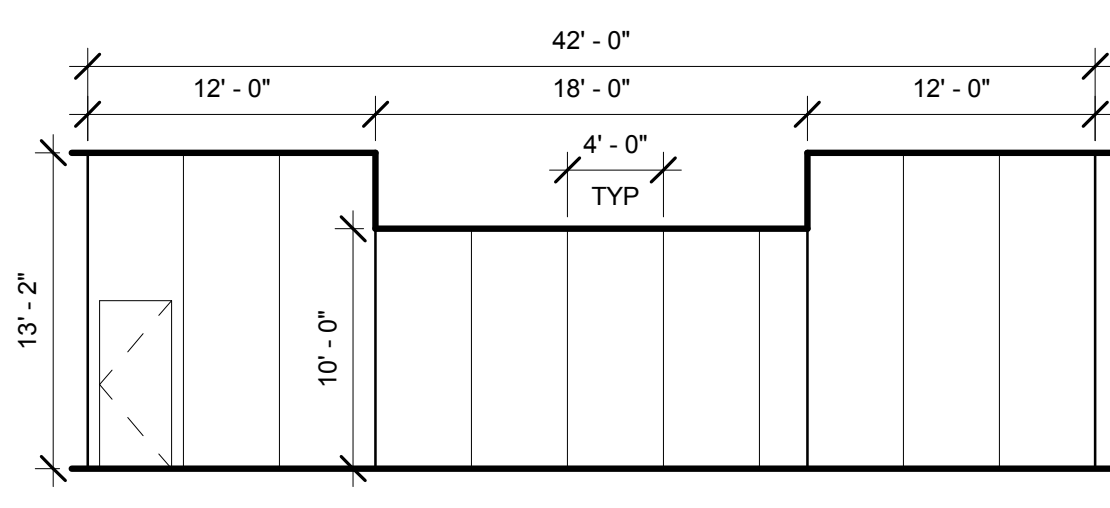
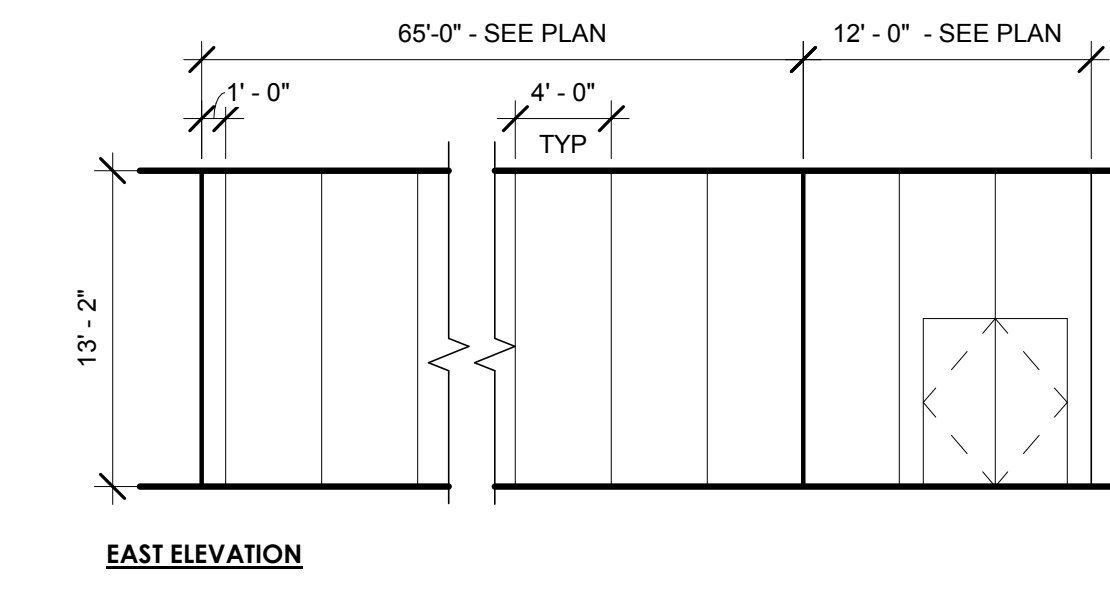
GENERAL NOTES:

1. THE TERMINAL BUILDING IS TYPICALLY OCCUPIED AND ACTIVE W/ AIRLINE & PASSENGER ACTIVITY FROM 4:30 AM TO 12:35 AM EVERY DAY. CONSTRUCTION OPERATIONS THAT ARE NOISY, DUSTY, OR OTHERWISE INTERFERE WITH TERMINAL OPERATIONS SHALL BE COMPLETED AS "NIGHT WORK" AND COORDINATED W/ THE OWNER AND ARCHITECT/ENGINEER. SOME NIGHT WORK WILL BE ALLOWED TO BEGIN AFTER THE LAST DEPARTING FLIGHT, TYPICALLY AT 9:00 PM.
2. REPAIR ANY DAMAGE BY TEMPORARY CONSTRUCTION ACCORDING TO SECTION 01 73 00.
3. COORDINATE PHASING AND TEMPORARY CONSTRUCTION WITH WORK SHOWN ON INTERIORS AND ELECTRICAL SHEETS.
4. GENERAL CONTRACTOR SHALL PROVIDE TEMPORARY NON-ILLUMINATED SIGNAGE WHEN MODULAR BARRIERS OBSCURE OR DISPLACE PERMANENT SIGNAGE AND AS REQUIRED TO PROVIDE DIRECTIONS TO THE PUBLIC. ACCEPTABLE MATERIALS FOR THE TEMPORARY SIGNS INCLUDE VINYL BANNERS WITH A CONTINUOUS RIGID TOP FRAME (EXAMPLE: ALUM BAR STOCK OR ANGLE FRAME PAINTED TO MATCH SIGN FACE) OR TEMPORARY RE-USE OF EXISTING ACRYLIC FACES. TEMPORARY SIGNS SHALL BE SUSPENDED IN THE SAME LOCATION OR MOUNTED ON THE CONSTRUCTION BARRIER. COORDINATE TEMPORARY SIGNAGE W/ ARCHITECT/ENGINEER.
5. EACH PHASE MUST BE SUBSTANTIALLY COMPLETE AND THE AREA CLEANED AND ACCEPTABLE FOR PUBLIC USE BEFORE BEGINNING THE NEXT PHASE.
6. CONTRACTOR SHALL PULL, STORE AND REPLACE EXISTING CARPET SQUARES OR PROTECT EXISTING FLOORING DURING CONSTRUCTION.
7. REMOVE AND REINSTALL ACP, GRID AND LIGHTING AS REQUIRED.
8. MAINTAIN AIRLINE & TUG ACCESS TO OFFLOAD CONVEYORS THAT REMAIN IN SERVICE DURING EACH PHASE.

TEMPORARY CONSTRUCTION & PHASING KEYNOTES

1 TEMPORARY CONSTRUCTION PARTITION - TYPICAL

2 EXISTING LED LIGHT FIXTURE



4D FLOOR PLAN LL - BAGGAGE CLAIM PHASING PLAN
A001 3/32" = 1'-0"

1D CONSTRUCTION PARTITION ELEVATIONS
A001 1/8" = 1'-0"



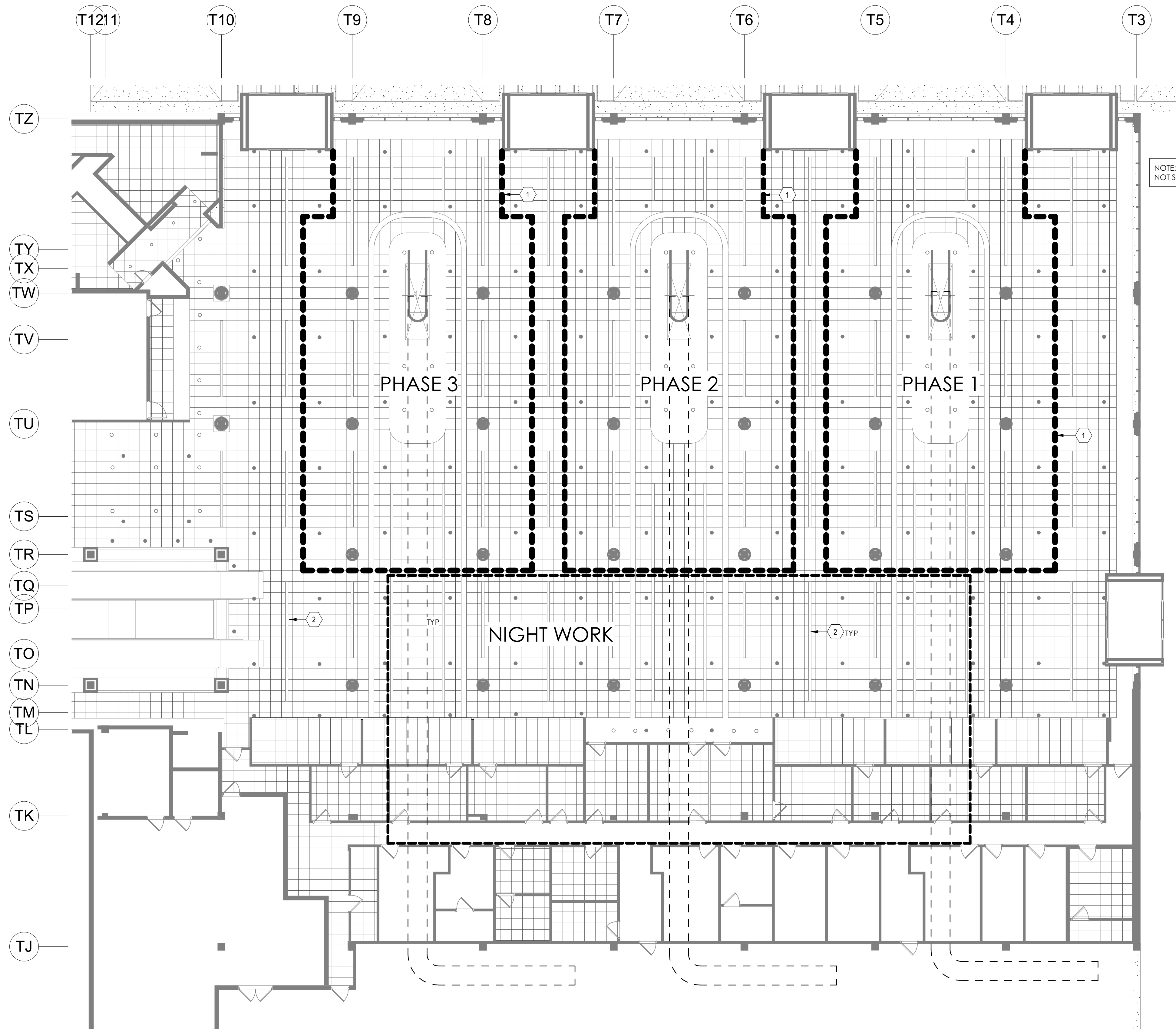
COLUMBIA METROPOLITAN AIRPORT INBOUND BHS IMPROVEMENTS

No.	Date	Description
1		CONFORM SET

JOB NUMBER: FIE1802
DESIGNED BY: JTS
CHECKED BY: JTS
DRAWN BY: ECS
CAD DATE: 04/22/19

FLOOR PLAN - BAGGAGE CLAIM PHASING

PROJECT NUMBER: FIE1802
PROJECT DATE: 4/22/2019
DRAWING NUMBER: A001



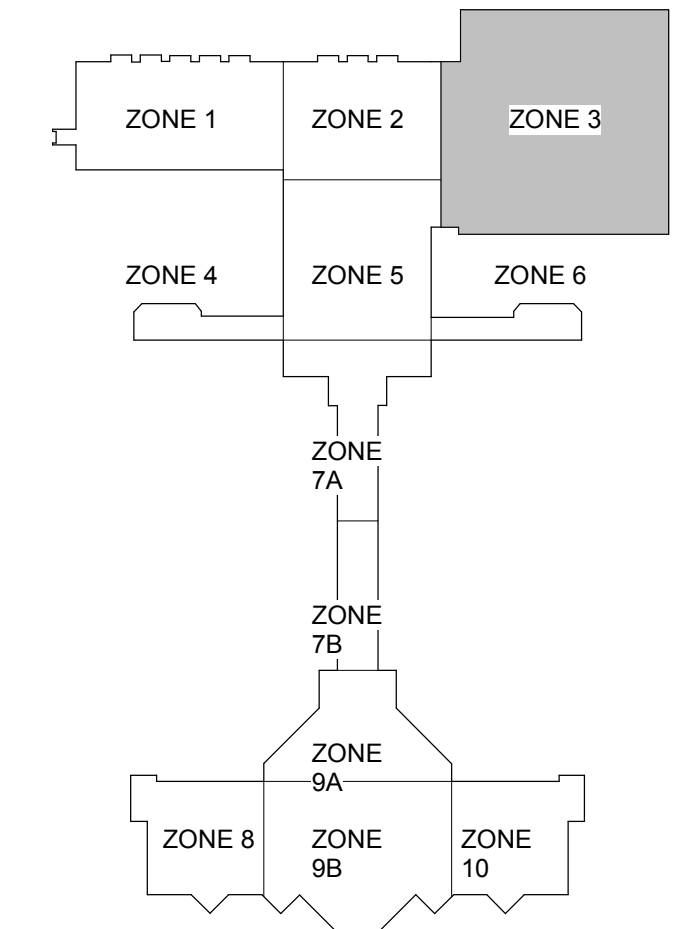
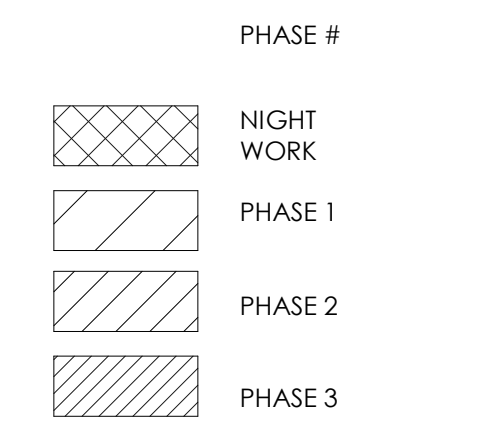
TEMPORARY CONSTRUCTION AND PHASING
GENERAL NOTES:

- GENERAL NOTES:
1. THE TERMINAL BUILDING IS TYPICALLY OCCUPIED AND ACTIVE W/ AIRLINE & PASSENGER ACTIVITY FROM 4:30 AM TO 12:35 AM EVERY DAY. CONSTRUCTION OPERATIONS THAT ARE NOISY, DUSTY, OR OTHERWISE INTERFERE WITH TERMINAL OPERATIONS SHALL BE COMPLETED AS "NIGHT WORK" AND COORDINATED W/ THE OWNER AND ARCHITECT/ENGINEER. SOME NIGHT WORK WILL BE ALLOWED TO BEGIN AFTER THE LAST DEPARTING FLIGHT, TYPICALLY AT 9:00 PM. REPAIR ANY DAMAGE BY TEMPORARY CONSTRUCTION ACCORDING TO SECTION 01 73 00.
 2. COORDINATE PHASING AND TEMPORARY CONSTRUCTION WITH WORK SHOWN ON INTERIORS AND ELECTRICAL SHEETS.
 3. GENERAL CONTRACTOR SHALL PROVIDE TEMPORARY NON-ILLUMINATED SIGNAGE WHEN MODULAR BARRIERS OBSCURE OR DISPLACE PERMANENT SIGNAGE AND AS REQUIRED TO PROVIDE DIRECTIONS TO THE PUBLIC. ACCEPTABLE MATERIALS FOR THE TEMPORARY SIGNS INCLUDE VINYL BANNERS WITH A CONTINUOUS RIGID TOP FRAME (EXAMPLE: ALUM BAR STOCK OR ANGLE FRAME PAINTED TO MATCH SIGN FACE) OR TEMPORARY RE-USE OF EXISTING ACRYLIC FACES. TEMPORARY SIGNS SHALL BE SUSPENDED IN THE SAME LOCATION OR MOUNTED ON THE CONSTRUCTION BARRIER. COORDINATE TEMPORARY SIGNAGE W/ ARCHITECT/ENGINEER.
 4. EACH PHASE MUST BE SUBSTANTIALLY COMPLETE AND THE AREA CLEANED AND ACCEPTABLE FOR PUBLIC USE BEFORE BEGINNING THE NEXT PHASE.
 5. CONTRACTOR SHALL PULL, STORE AND REPLACE EXISTING CARPET SQUARES OR PROTECT EXISTING FLOORING DURING CONSTRUCTION.
 6. REMOVE AND REINSTALL ACP, GRID AND LIGHTING AS REQUIRED.
 7. MAINTAIN AIRLINE & TUG ACCESS TO OFFLOAD CONVEYORS THAT REMAIN IN SERVICE DURING EACH PHASE.

TEMPORARY CONSTRUCTION & PHASING KEYNOTES

- 1 TEMPORARY CONSTRUCTION PARTITION - TYPICAL
- 2 EXISTING LED LIGHT FIXTURE

GRAPHIC SYMBOLS



KEY PLAN



COLUMBIA METROPOLITAN
AIRPORT
2019 INBOUND BHS
IMPROVEMENTS

No.	Date	Description
1		CONFORM SET

JOB NUMBER: FIE1802
DESIGNED BY: JTS
CHECKED BY: JTS
DRAWN BY: ECS
CAD DATE: 04/22/19

DRAWING NAME:
RCP - BAGGAGE CLAIM PHASING

PROJECT NUMBER: **FIE1802**
PROJECT DATE: **4/22/2019**
DRAWING NUMBER: **A002**

ABBREVIATIONS

AFF	ABOVE FINISHED FLOOR	MECH	MECHANICAL
ALT	ALTERNATE	MFG	MANUFACTURER
ARCH	PROJECT ARCHITECT	MIN	MINIMUM
ATR	AUTOMATIC TAG READER	MCP	MOTOR CONTROL PANEL
BC	BAG CLEARANCE	MSD	MOTOR SWITCH DISCONNECT
BMA	BAG MEASURING ARRAY	NIC	NOT IN CONTRACT
BG	BETWEEN SIDEGUARDS	NTS	NOT TO SCALE
BHS	BAGGAGE HANDLING SYSTEM	OC	ON CENTER
BLDG	BUILDING	OIT	OPERATOR INTERFACE TERMINAL
BOS	BOTTOM OF STEEL	OPS	OPERATIONS
BSD	BAG STATUS DISPLAY	OS	OVERSIZED
CL	CENTER LINE	PDP	POWER DISTRIBUTION PANEL
CLR	CLEAR	PSF	POUNDS PER SQUARE FOOT
COL	COLUMN	PT	POWER TURN
CONC	CONCRETE	QUE	QUEUING CONVEYOR
CONT	CONTINUOUS	REF	REFERENCE
CONV	CONVEYOR	REQD	REQUIRED
CS	CURBSIDE	REV	REVISION
DIA	DIAMETER	RI	REINSERTION LINE
DSG	DOUBLE SIDE GUARD	ROW	RIGHT OF WAY
DWG	DRAWING	SACS	SECURITY ACCESS CONTROL SYSTEM
EDS	EXPLOSIVE DETECTION SYSTEM	SCH	SCHEDULE
EL	ELEVATION	SIM	SIMILAR
ELEC	ELECTRICAL	SPT	SPIRAL POWER TURN
ENGR	ENGINEER OF RECORD	SS	STAINLESS STEEL
EQUIP	EQUIPMENT	SSD	SYSTEM STATUS DISPLAY
ETD	EXPLOSIVE TRACE DEVICE	SSG	SINGLE SIDE GUARD
FD	FIRE DOOR	STA	STATION
FF	FINISH FLOOR	SVS	SECONDARY VIEWING STATION
FT	FOOT	TC	TICKET COUNTER
GA	GUAGE	TEMP	TEMPORARY
GALV	GALVANIZED	TERM	TERMINAL
GC	GENERAL CONTRACTOR	TOB	TOP OF BELT
HP	HORSEPOWER	TOC	TOP OF CONCRETE
INCL	INCLINE	TOP	TOP OF PLATFORM/PAN
INTL	INTERNATIONAL	TOS	TOP OF STEEL
IR	INSIDE RADIUS	TSA	TRANSPORTATION SECURITY AGENCY
LBS	POUNDS	TYP	TYPICAL
LIN	LINEAR	UL	UNDERWRITER'S LABORATORY
MAINT	MAINTENANCE	VIF	VERIFY IN FIELD
MAX	MAXIMUM	VFD	VARIABLE FREQUENCY DRIVE
		VSU	VERTICAL SORTATION UNIT

ENGINEER NOTES

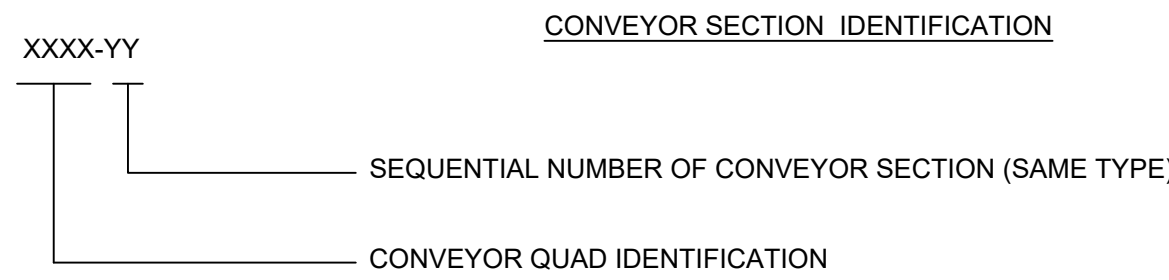
CONTRACTOR DOCUMENTS AND SPECIFICATIONS:

THE CONTRACTOR IS HEREBY NOTIFIED THAT ESSENTIAL AND PERTINENT INFORMATION REGARDING THE CONSTRUCTION AND COMPLETION OF WORK FOR THIS PROJECT IS CONTAINED IN THE CONTRACT DOCUMENTS AND SPECIFICATIONS. REGARDLESS OF DISCIPLINE, IT IS THE CONTRACTOR'S RESPONSIBILITY TO READ AND REVIEW THIS INFORMATION TO HIS OWN SATISFACTION PRIOR TO PERFORMING ANY WORK. ANY DEFICIENT, INCOMPLETE OR INCORRECT WORK SHALL BE REDONE TO MEET SAID REQUIREMENTS AT THE CONTRACTOR'S SOLE EXPENSE.

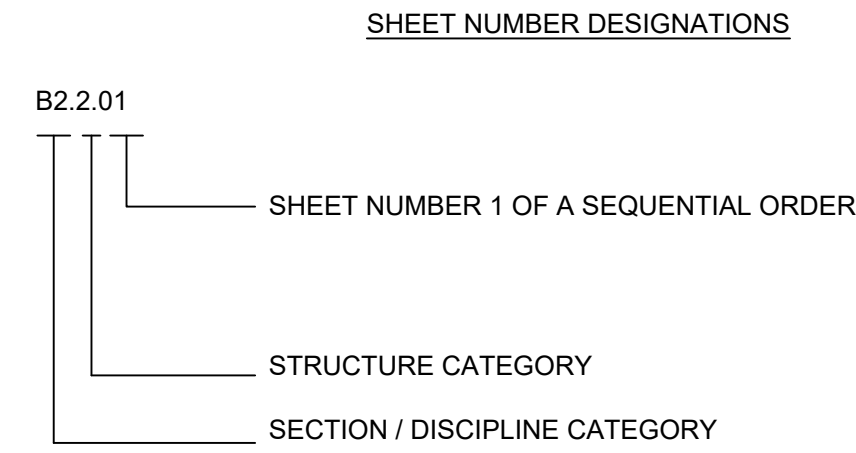
CONTROL SYSTEM NOTES

- A. PROVIDE AND INSTALL START-UP BEACONS, JAM/E-STOP BEACONS AND HORNS AS REQUIRED.
- B. THE CONTROL SCHEDULE IN THESE DRAWINGS MAY NOT INDICATE ALL OF THE REQUIRED CONTROL STATIONS OR EQUIPMENT. THEY ARE INTENDED FOR REFERENCE ONLY AND INDICATE EITHER THE PREFERRED OR REQUIRED LOCATIONS OF SOME OF THE CONTROL STATIONS REFERENCES IN THE CONTRACT DOCUMENTS. THE CONTROL SYSTEM CONTRACTOR SHALL BE RESPONSIBLE FOR THE DEVELOPMENT OF THE CONTROL SYSTEMS AND REFER TO THE DRAWINGS FOR THE REQUESTED CONTROL STATION LOCATIONS AND EQUIPMENT UNLESS THEY ARE IN CONFLICT WITH OTHER REQUIREMENTS. DEVIATIONS FROM THE LOCATIONS SHOWN SHALL BE APPROVED BY OWNER'S REPRESENTATIVE.
- C. FOR ALL E-STOPS IN CLAIM AREAS, PROVIDE A COVER ON THE STATION THAT ALLOWS UNRESTRICTED ACCESS TO THE E-STOP PUSHBUTTON, BUT DOES NOT ALLOW ACCIDENTAL ACTIVATION BY INADVERTENT BUMPING. E-STOP RESET IN PUBLIC AREAS.
- D. THE BHS SHALL INTERFACE THE FIRE ALARM SYSTEM AND THE SECURITY ACCESS CONTROL SYSTEM.
- E. SECURITY-FIRE DOORS SHALL BE PROVIDED AS PART OF THE BHS CONTRACT. THE DOOR WILL BE CONTROLLED BY BHS CONTROL SYSTEM.
- F. THE B5-SERIES SHEETS DEPICT THE CONTROLS OF CERTAIN SUBSYSTEMS. OTHER SUBSYSTEMS ALSO REQUIRE NEW OR MODIFIED CONTROLS EQUIPMENT/FUNCTIONS. PROVIDE CONTROLS FOR ALL NEW CONVEYOR EQUIPMENT OF THIS PROJECT.
- G. THE BHS CONTROL SYSTEM SHALL COMPLY WITH THE PGDS VERSION 6.

IDENTIFICATION NOMENCLATURE



ODD SIZED UNITS	=	OS
CURBSIDE UNITS	=	CS
BAG DROP UNITS	=	BD
FIRE DOOR	=	FD
OVER SIZE	=	OS



NOTE: NOT ALL DRAWING SERIES APPLY IN ALL PACKAGE PHASES.

BAGGAGE CONVEYOR:

IS	GENERAL INFORMATION, LEGEND, SYMBOLS, NOTES, ETC.
1	OVERALL PLANS, PARTIAL PLANS
2	CONVEYOR PHASING PLANS
3	EDS REMOVAL AND EGRESS PLANS
4	ELEVATIONS
5	ELECTRICAL
6	DETAILS
7	CATWALK

- SEE BHS B1-SERIES FOR PARTIAL PLAN VIEWS SHOWING ELEVATIONS AND DIMENSIONS.
- SEE BHS B2-SERIES FOR PHASING DETAILS.
- SEE BHS B4-SERIES FOR ELEVATION VIEWS SHOWING ELEVATIONS AND DIMENSIONS.
- SEE BHS B5-SERIES FOR ELECTRICAL DETAILS.
- SEE BHS B6-SERIES FOR EQUIPMENT DETAILS.

GENERAL NOTES

THE FOLLOWING APPLIES IN ADDITION TO THE PROJECT SPECIFICATIONS AND BHS DRAWINGS:

- A. PRIOR TO ENGINEERING AND FABRICATION OF BHS THE CONTRACTOR SHALL FIELD VERIFY ALL BHS RELATED DIMENSIONS AND EXISTING CONDITIONS ON THE JOB SIGHT. THE CONTRACTOR IS TO BE RESPONSIBLE FOR DIMENSIONAL ACCURACY. CONFLICTS SHALL BE BROUGHT TO THE OWNER'S AND/OR OWNER'S REPRESENTATIVE ATTENTION IMMEDIATELY UPON DISCOVERY. ALL BAGGAGE SYSTEMS WORK SHALL BE COORDINATED WITH THE GENERAL CONTRACTOR FOR THE BUILDING CONTRACT. BHS (DEMO AND NEW INSTALLATION) SHALL BE COORDINATE WITH OWNER. OPERATIONAL IMPACTS SHALL BE KEPT TO A MINIMUM. THE PORTERING REQUIREMENTS ARE LISTED IN THE SPECS.
- B. DRAWING DIMENSIONS SHALL NOT BE SCALED, DIMENSIONS SHOWN SHALL BE USED.
- C. ACTUAL BELT SPEEDS SHALL BE DETERMINED BY THE BHS CONTRACTOR IN ACCORDANCE WITH GOOD DESIGN PRACTICE AND SYSTEM THROUGHPUT REQUIREMENTS.
- D. A MINIMUM CLEARANCE OF 7'-6" ABOVE TUG/CART AND BAG MAKE-UP WORK AREAS SHALL BE PROVIDED. CLEARANCE SHALL BE TO THE LOWEST OBSTRUCTION OF THE BAGGAGE SYSTEMS INCLUDING, BUT NOT LIMITED TO, DRIVES, CATWALKS, PULL DOWN LADDERS, AND SUPPORT STRUCTURE.
- E. BHS CONTRACTOR SHALL COORDINATE WITH ALL OTHER TRADES TO MAINTAIN BAGGAGE SYSTEM RIGHT-OF-WAY.
- F. BHS CONTRACTOR AND ALL OTHER TRADES TO MAINTAIN 3'-0" RIGHT OF WAY FROM TOP OF BELT TO NEAREST OBSTRUCTION. HANGING OF ANY EQUIPMENT COMPONENTS SUCH AS MECHANICAL, ELECTRICAL, PLUMBING OR HVAC FROM THE CONVEYOR, CATWALK OR ASSOCIATED SUPPORTS IS PROHIBITED.
- G. BHS CONTRACTOR TO FIELD VERIFY ALL TIE-IN LOCATIONS.
- H. CONVEYORS IN PUBLIC AREAS SHALL CONFORM TO THE REQUIREMENTS OF THE AMERICANS WITH DISABILITIES ACT (ADA).
- I. CONVEYOR SECTIONS SHALL BE FIELD CUT TO EXACT LENGTHS WHERE REQUIRED. FLARED SIDE GUARDS ARE TO BE LOCATED AFTER FIRE/SECURITY DOORS. STAINLESS STEEL SHROUDING IS TO BE UTILIZED ON CONVEYORS IN THE PUBLIC AREA.
- J. REFER TO TECHNICAL SPECIFICATION SECTION FOR THE BAGGAGE HANDLING SYSTEMS REQUIREMENTS. DEVIATIONS FROM THE LOCATIONS SHOWN SHALL BE APPROVED BY THE OWNER'S REPRESENTATIVE.
- K. REFER TO BASE BUILDING ARCHITECTURAL AND OTHER DISCIPLINE DRAWINGS FOR COORDINATION INFORMATION.
- L. DEMO ALL REQUIRED CONVEYOR AND ASSOCIATED COMPONENTS PERTAINING TO EACH SYSTEM INCLUDING BUT NOT LIMITED TO CATWALKS, SUPPORTS, HANGING MATERIALS, ETC. DEMO ALL ASSOCIATED MCPs AND ELECTRICAL COMPONENTS, INCLUDING BUT NOT LIMITED TO WIRING, FIELD DEVICES, PHOTOEYES, ETC. ALL WIRING SHALL BE REMOVED TO THE SOURCE.

DRAWING INDEX

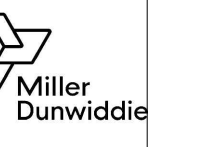
SHEET#	REVISION	DRAWING NAME
B.IS.01	-	ABBREVIATIONS, GENERAL NOTES AND DRAWING INDEX
B.IS.02	-	CONVEYOR LEGENDS, SYMBOLS AND MOTOR LIST
B.IS.03	-	CONVEYOR LEGENDS, SYMBOLS AND MOTOR LIST
B1.1.00	-	OVERALL PLAN VIEW
B1.1.01	-	PLAN VIEW - LOAD CONVEYORS
B1.1.02	-	PLAN VIEW - IB1 AND CD1
B1.1.03	-	PLAN VIEW - IB2 AND CD2
B1.1.04	-	PLAN VIEW - IB3 AND CD3
B1.1.05	-	PLAN VIEW - UNITED OUTBOUND DEMO
B4.1.01	-	ELEVATIONS - LOAD CONVEYORS - IB1, IB2 AND IB3
B5.1.00	-	ELECTRICAL DEVICE STANDARDS
B5.1.01	-	PLAN VIEW - ELECTRICAL COMPONENTS
B5.1.02	-	PLAN VIEW - ELECTRICAL COMPONENTS
B6.1.00	-	FLOOR COMPONENT DETAILS
B6.1.01	-	DOOR DETAILS



3520 AIRPORT BLVD
WEST COLUMBIA, SC 29170



Foth Infrastructure & Environmental, LLC
3501 Air Commerce Drive
Columbia, SC 29170
Ph: (803) 250-4544



1000 Woodland Drive
300 Woodland Drive South, Suite 100
Beverly Hills, California 90212
818 337-2000



1700 East 5th Avenue
Mount Dora, FL 32757
Office: 352.383.2800

COLUMBIA METROPOLITAN AIRPORT 2019 INBOUND BHS IMPROVEMENTS

No.	Date	Description
		CONFORMING SET





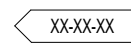

JOB NUMBER:	_____
DESIGNED BY:	CF
CHECKED BY:	BM
DRAWN BY:	CF
CAD DATE:	04/22/19

DRAWING NAME:
ABBREVIATIONS
GENERAL NOTES
AND DRAWING INDEX

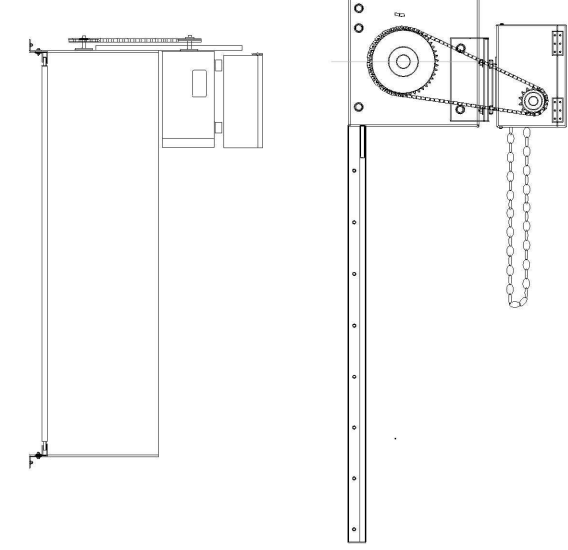
PROJECT NUMBER:	_____
PROJECT DATE:	05/19/19
DRAWING NUMBER:	B.IS.01

ABBREVIATIONS GENERAL NOTES AND DRAWING INDEX

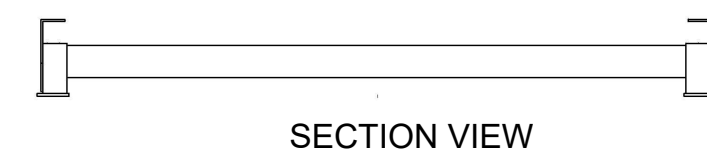
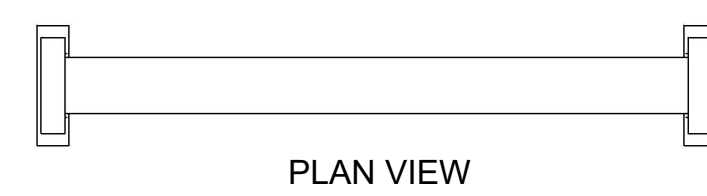
DRAWING MARKERS

-  TUG & CART TRAFFIC FLOW DIRECTION
-  CONVEYOR FLOW DIRECTION
-  CLAIM DEVICE FLOW DIRECTION
-  ELEVATION MARK
-  BHS EQUIPMENT IDENTIFICATION TAG.
-  SECTION NUMBER

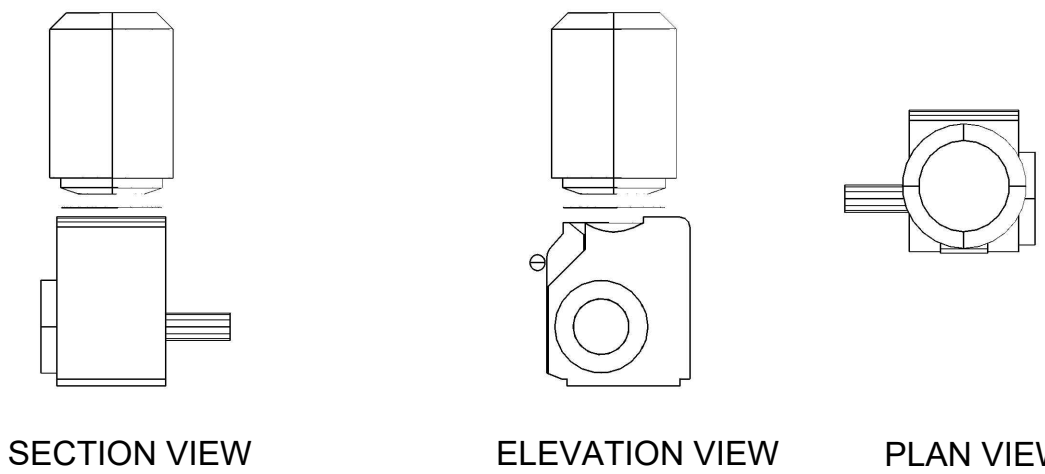
SECURITY DOORS



MISCELLANEOUS ITEMS



SUPPORT LEGS

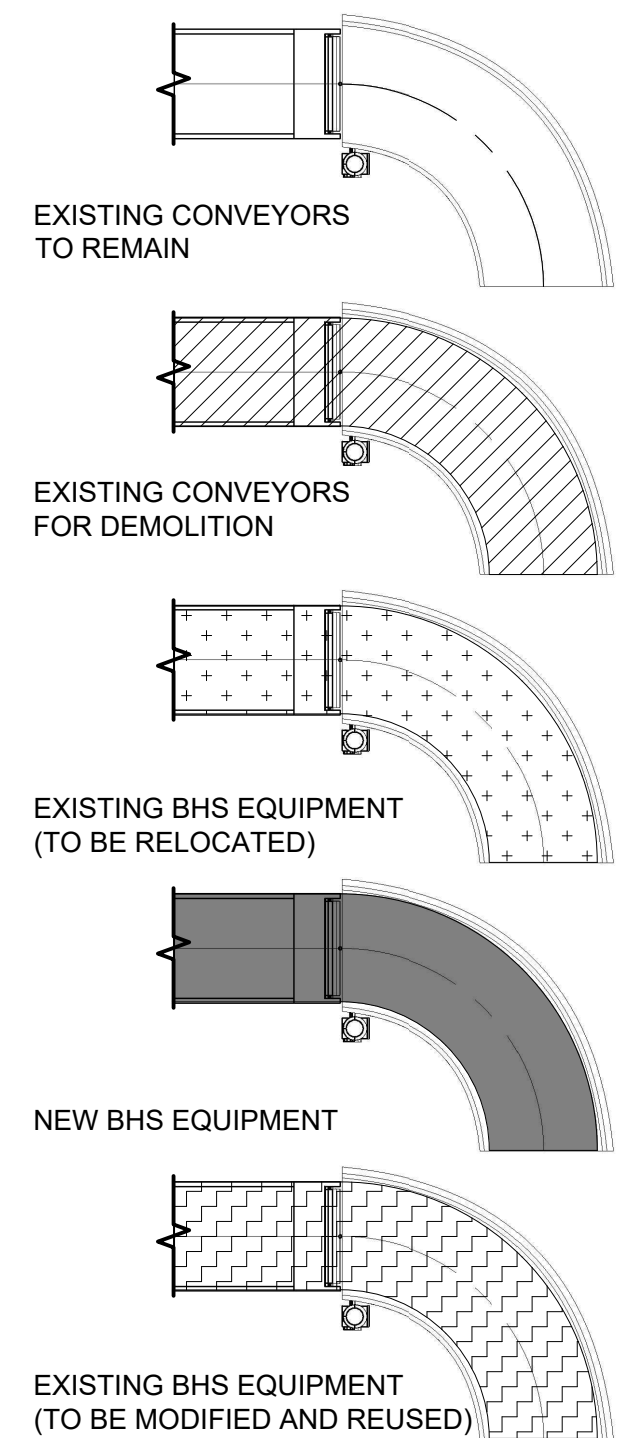


TYPICAL DRIVE MOTOR

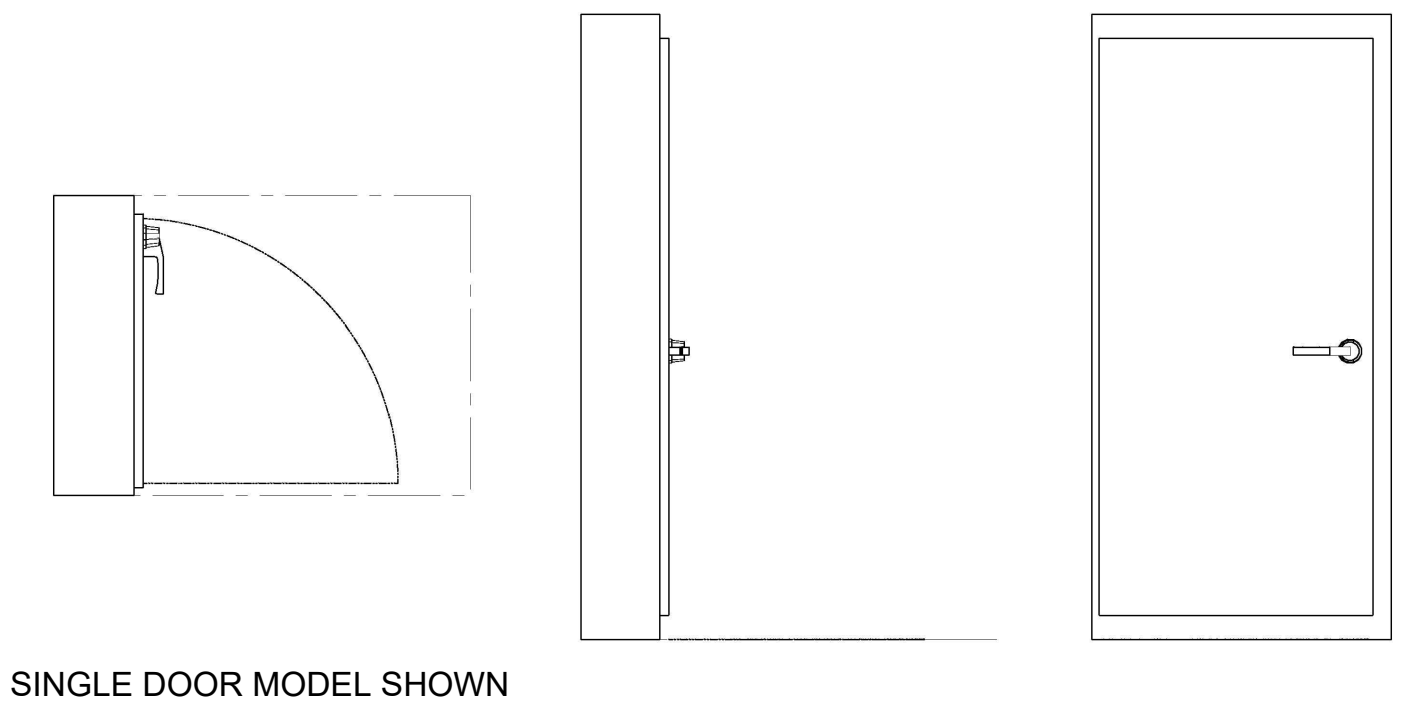
MOTOR LIST

TYPE	UNIT NO.	SUPPORT	INC/DCL (deg)	ELEV (ft)	LENGTH (ft)	BG (in)	SG (in)	SPEED (ft/min)	CONTROL	HP	FLA
LOAD/UNLOAD	IB1-01	FLOOR	0	0	19.9	39	21	90	MS	2	3.1
090PT	IB1-02	FLOOR	0	0	19.9	39	21	90	MS	2	3.1
FIRE DOOR	FD-IB1	N/A	0	1.5	9	N/A	N/A	N/A	N/A	0.5	1.5
TRANSPORT	IB1-03	HANGING	22	11	40	39	21	110	MS/BRAKE	5	7.1
TRANSPORT	IB1-04	HANGING	0	0	50	39	21	130	MS	5	0
TRANSPORT	IB1-05	HANGING	22	-9.3	45	39	21	110	MS/BRAKE	3	0
INCLINED PLATE	CD-01	FLOOR	0	0	121	N/A	N/A	90	SOFT START	3	0
LOAD/UNLOAD	IB2-01	FLOOR	0	0	19.9	39	21	90	MS	2	3.1
090PT	IB2-02	FLOOR	0	0	19.9	39	21	90	MS	2	3.1
FIRE DOOR	FD-IB2	N/A	0	1.5	9	N/A	N/A	N/A	N/A	0.5	1.5
TRANSPORT	IB2-03	HANGING	22	11	40	39	21	110	MS/BRAKE	5	7.1
TRANSPORT	IB2-04	HANGING	0	0	50	39	21	130	MS	5	0
TRANSPORT	IB2-05	HANGING	22	-9.3	45	39	21	110	MS/BRAKE	3	0
INCLINED PLATE	CD-02	FLOOR	0	0	121	N/A	N/A	90	SOFT START	3	0
LOAD/UNLOAD	IB3-01	FLOOR	0	0	19.9	39	21	90	MS	2	3.1
090PT	IB3-02	FLOOR	0	0	19.9	39	21	90	MS	2	3.1
FIRE DOOR	FD-IB3	N/A	0	1.5	9	N/A	N/A	N/A	N/A	0.5	1.5
TRANSPORT	IB3-03	HANGING	22	11	40	39	21	110	MS/BRAKE	5	7.1
TRANSPORT	IB3-04	HANGING	0	0	50	39	21	130	MS	5	0
TRANSPORT	IB3-05	HANGING	22	-9.3	45	39	21	110	MS/BRAKE	3	0
INCLINED PLATE	CD-03	FLOOR	0	0	121	N/A	N/A	90	SOFT START	3	0

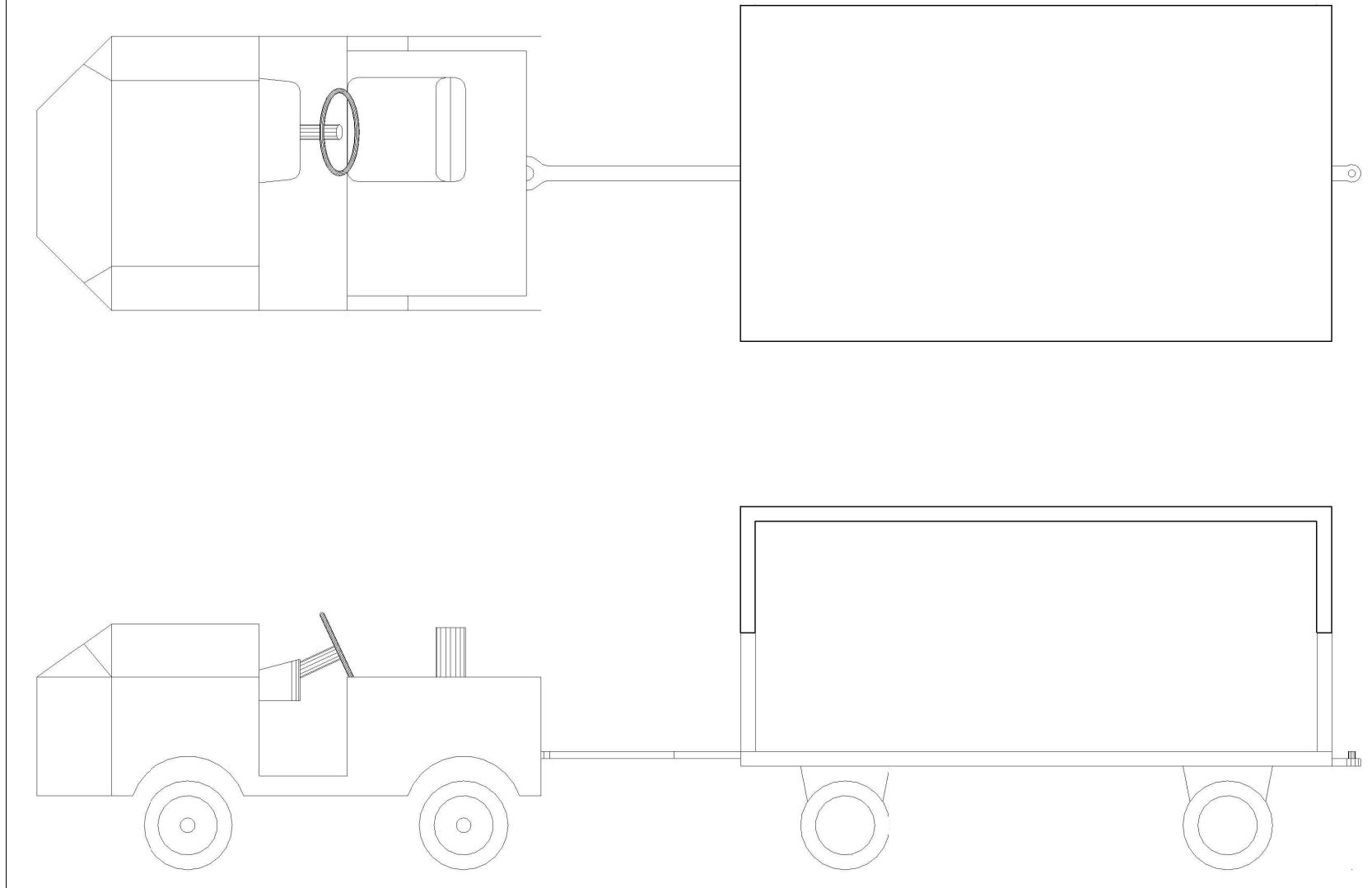
CONVEYOR SYMBOLS



MOTOR CONTROL PANEL (MCP)



TUG W/ CART



CONVEYOR LEGENDS AND SYMBOLS



3520 AIRPORT BLVD
WEST COLUMBIA, SC 29170



Foth Infrastructure & Environmental, LLC
3581 Air Commerce Drive
Columbia, SC 29170
Ph: (803) 250-4844



Miller Dunwiddie
2000 Riverchase Way, Suite 100
Birmingham, AL 35244
Tel: 205-988-8800



JSM & Associates
730 East 5th Avenue
Mount Dora, FL 32757
Office: 352.383.2800

COLUMBIA METROPOLITAN AIRPORT 2019 INBOUND BHS IMPROVEMENTS

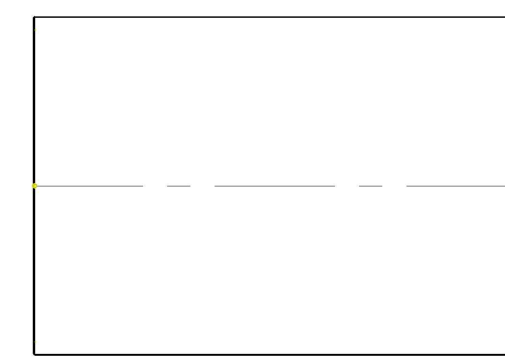
No.	Date	Description
1	5/17/19	ADDENDUM 1 CONFORMING SET

JOB NUMBER: _____
DESIGNED BY: CF
CHECKED BY: BM
DRAWN BY: CF
CAD DATE: 04/22/19

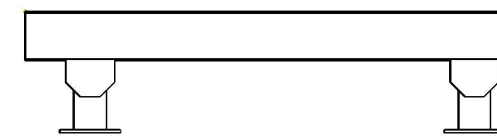
DRAWING NAME:
CONVEYOR LEGENDS AND SYMBOLS

PROJECT NUMBER:
PROJECT DATE:
DRAWING NUMBER:
05/19/19
B.IS.02

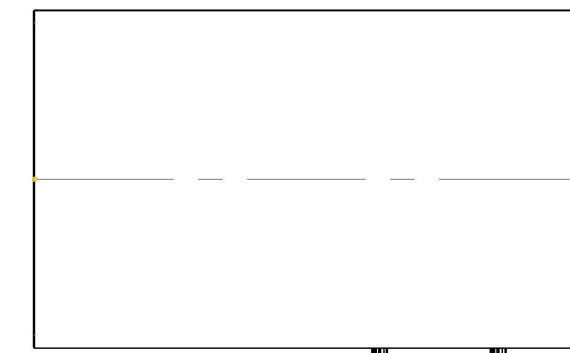
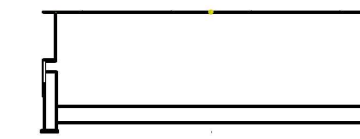
BELT CONVEYOR COMPONENT LEGEND



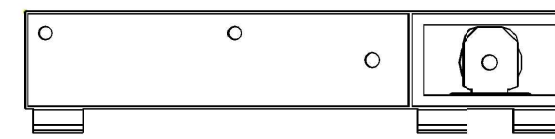
SLIDER BED
(VARIABLE LENGTHS)



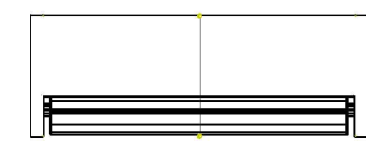
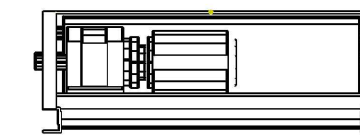
SLIDER BED
(VARIABLE LENGTHS)



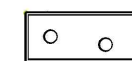
INLINE DRIVE



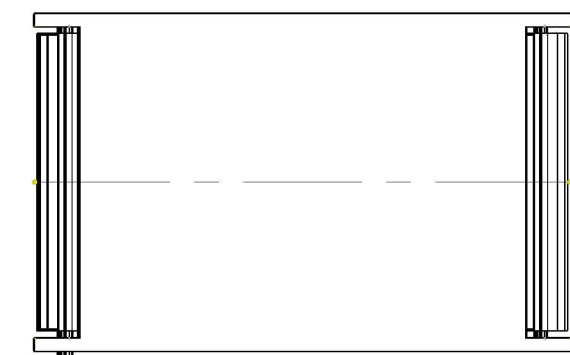
INLINE DRIVE



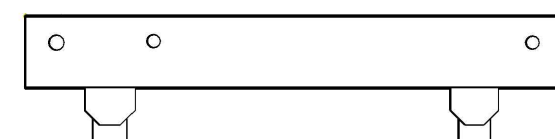
STANDARD END FRAME



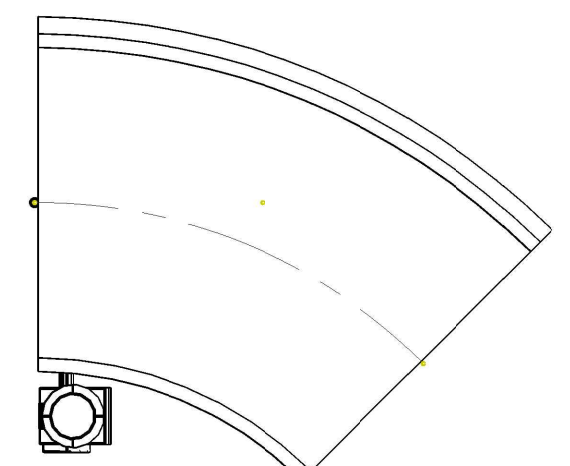
STANDARD END FRAME



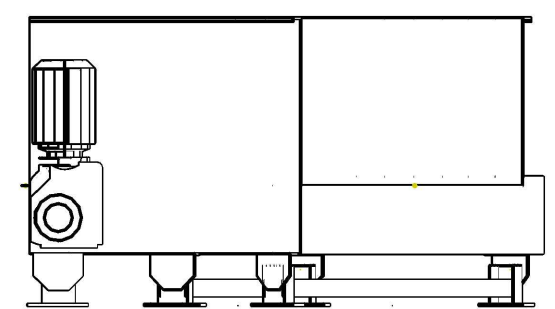
QUEUE
(VARIABLE LENGTHS)



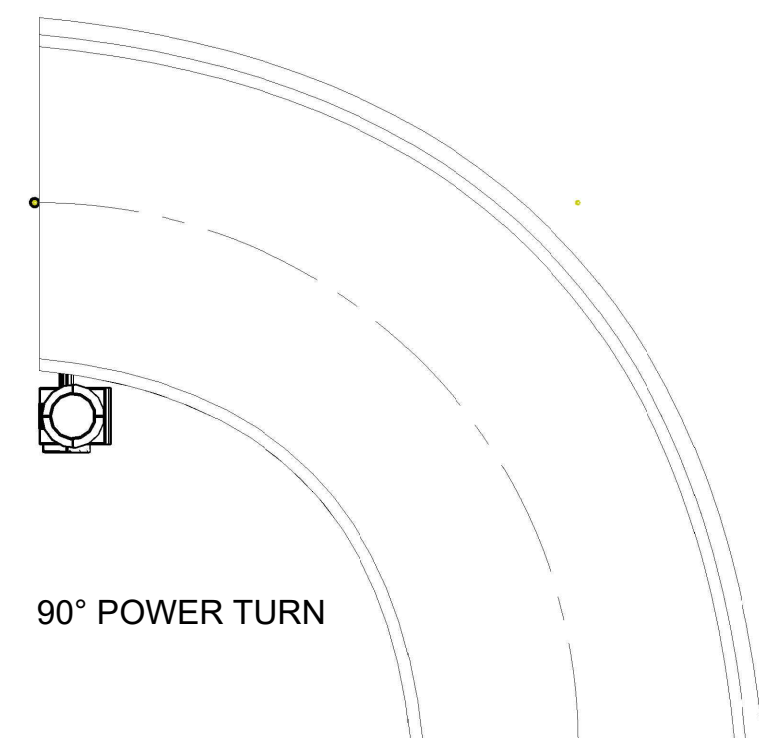
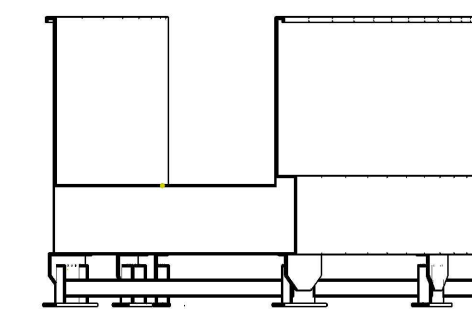
QUEUE
(VARIABLE LENGTHS)



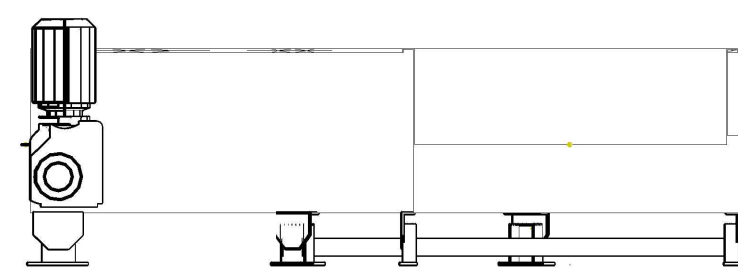
45° POWER TURN



45° POWER TURN



90° POWER TURN



90° POWER TURN

CONVEYOR LEGENDS AND SYMBOLS



3520 AIRPORT BLVD
WEST COLUMBIA, SC 29170



Foth Infrastructure & Environmental, LLC
3501 Air Commerce Drive
Columbia, SC 29170
Ph: (803) 259-4544



Miller Dunwiddie
100 Westwood Drive, Suite 100
Columbia, SC 29170
Tel: 803.733.0000



JSM & Associates
730 East 5th Avenue
Mount Dora, FL 32757
Office: 352.383.2800

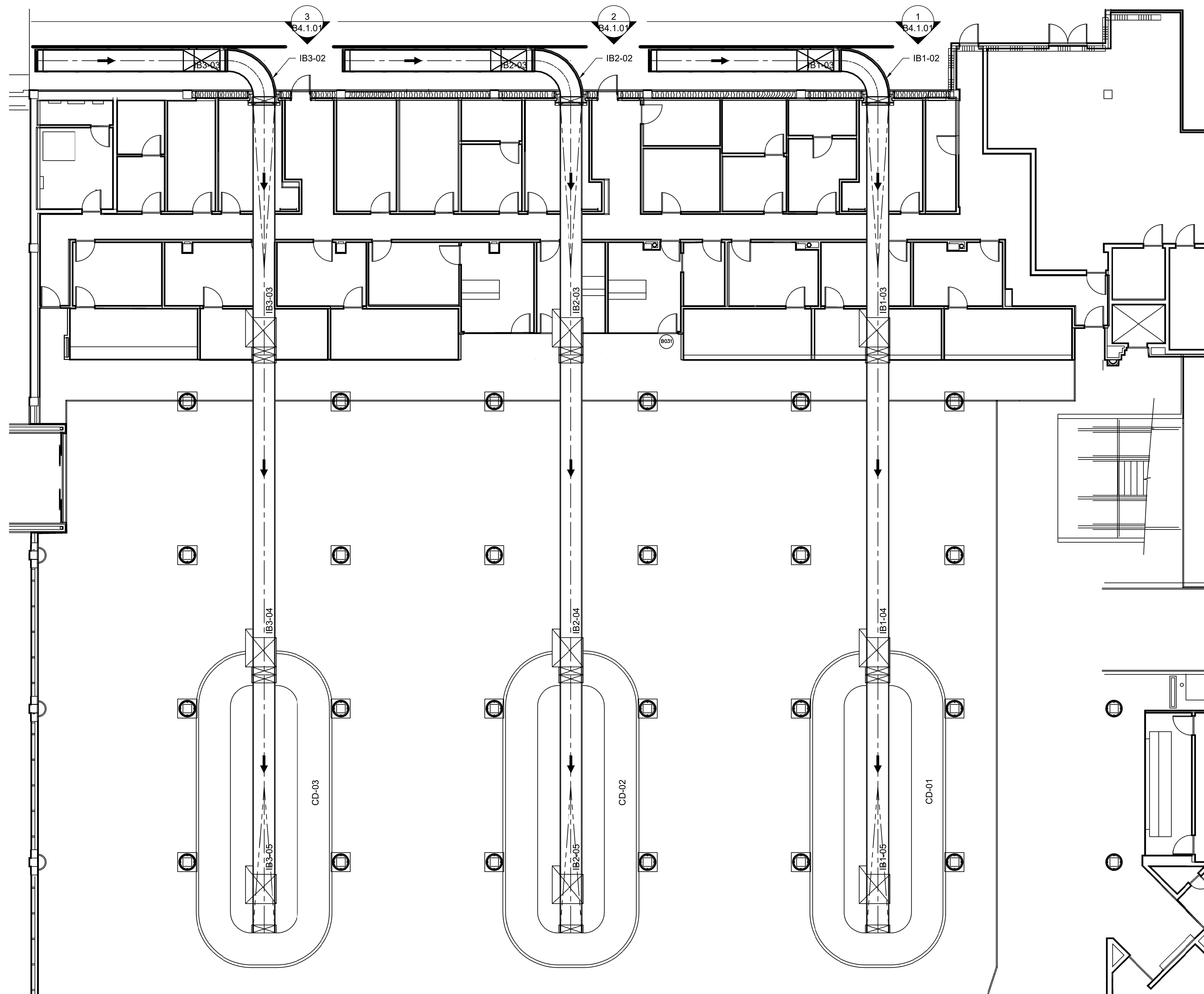
**COLUMBIA METROPOLITAN
AIRPORT
2019 INBOUND BHS
IMPROVEMENTS**

No.	Date	Description
		CONFORMING SET

JOB NUMBER: _____
DESIGNED BY: CF
CHECKED BY: BM
DRAWN BY: CF
CAD DATE: 04/22/19

DRAWING NAME:
CONVEYOR LEGENDS
AND SYMBOLS

PROJECT NUMBER:
PROJECT DATE: 08/19/19
DRAWING NUMBER:
B.IS.03



PLAN VIEW - CAE INBOUND

SCALE: 1/8" = 1'-0"



3520 AIRPORT BLVD
WEST COLUMBIA, SC 29170



Foth Infrastructure & Environmental, LLC
3501 Air Commerce Drive
Columbia, SC 29170
Ph: (803) 259-4544



Information only
1000 Riverchase Lane, Suite 100
Birmingham, Alabama 35244
813 237 8000



730 East 5th Avenue
Mount Dora, FL 32757
Office: 352.383.2800

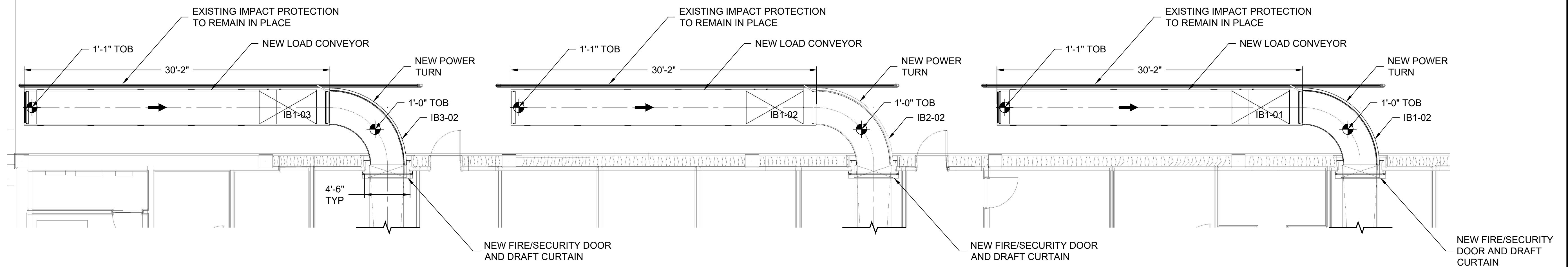
COLUMBIA METROPOLITAN
AIRPORT
2019 INBOUND BHS
IMPROVEMENTS

No.	Date	Description
CONFORMING SET		

JOB NUMBER: _____
DESIGNED BY: CF
CHECKED BY: BM
DRAWN BY: CF
CAD DATE: 04/22/19

DRAWING NAME:
OVERALL PLAN VIEW

PROJECT NUMBER:
PROJECT DATE: 05/19/19
DRAWING NUMBER:
B1.1.00



PLAN VIEW - LOAD CONVEYORS

SCALE: 3/16" = 1'-0"

NOTES:

- 1) NEW LOAD CONVEYORS AND POWER TURNS TO REPLACE EXISTING 39" BG LOAD CONVEYORS AND POWER TURNS.

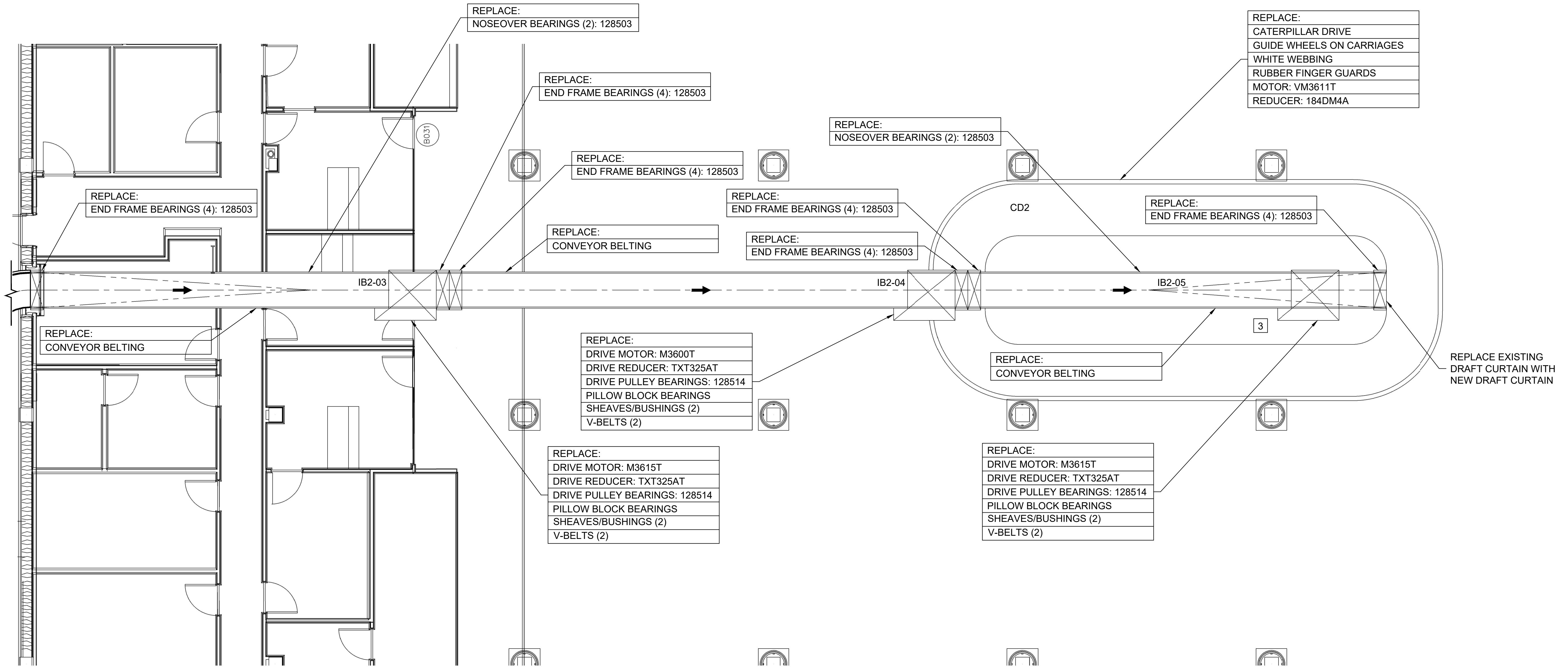
**COLUMBIA METROPOLITAN
AIRPORT
2019 INBOUND BHS
IMPROVEMENTS**

No.	Date	Description
CONFORMING SET		

JOB NUMBER: _____
DESIGNED BY: CF
CHECKED BY: BM
DRAWN BY: CF
CAD DATE: 04/22/19

DRAWING NAME:
**PLAN VIEW
LOAD CONVEYORS**

PROJECT NUMBER: _____
PROJECT DATE: 08/19/19
DRAWING NUMBER:
B1.1.01



PLAN VIEW - IB2 AND CD2 (AMERICAN) REFURBISHMENT

SCALE: 3/16" = 1'-0"

NOTES:

1. REPLACE ALL RETURN ROLLERS.
2. ALL STAINLESS STEEL PLATES TO BE REFURBISHED. ALL OTHER STAINLESS STEEL COMPONENTS TO BE BUFFED/REFURBISHED AND REPAIRED.
3. ADD HINGES AND LOCKS TO ACCESS HATCHES.

**COLUMBIA METROPOLITAN
AIRPORT
2019 INBOUND BHS
IMPROVEMENTS**

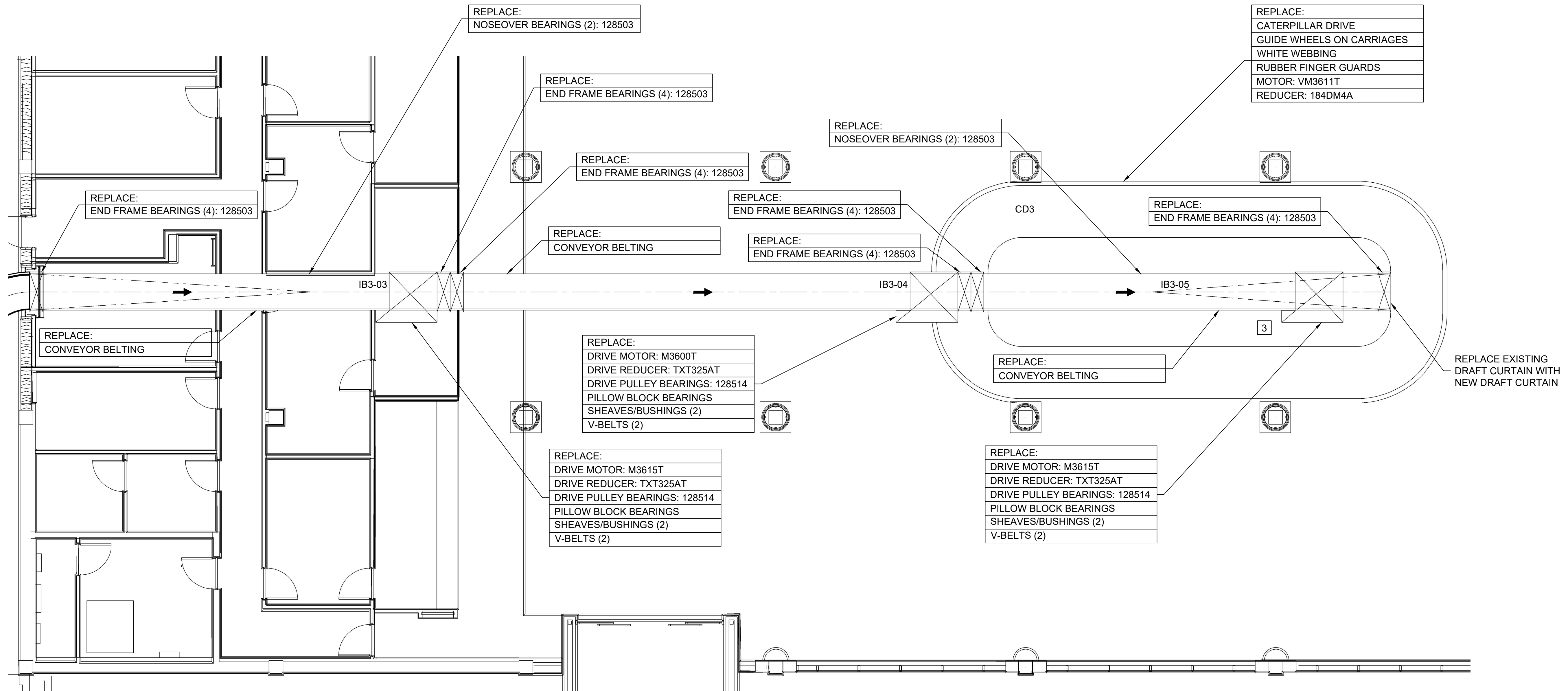
No.	Date	Description
CONFORMING SET		

JOB NUMBER: _____
DESIGNED BY: CF
CHECKED BY: BM
DRAWN BY: CF
CAD DATE: 04/22/19

DRAWING NAME:
PLAN VIEW
IB2 AND CD2

PROJECT NUMBER:
PROJECT DATE: 08/19/19

DRAWING NUMBER:
B1.1.03



PLAN VIEW - IB3 AND CD3 (UNITED) REFURBISHMENT

SCALE: 3/16" = 1'-0"

- NOTES:
1. REPLACE ALL RETURN ROLLERS.
 2. ALL STAINLESS STEEL PLATES TO BE REFURBISHED. ALL OTHER STAINLESS STEEL COMPONENTS TO BE BUFFED/REFURBISHED AND REPAIRED.
 3. ADD HINGES AND LOCKS TO ACCESS HATCHES.

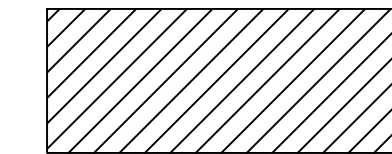
**COLUMBIA METROPOLITAN
AIRPORT
2019 INBOUND BHS
IMPROVEMENTS**

No.	Date	Description
CONFORMING SET		

JOB NUMBER: _____
DESIGNED BY: CF
CHECKED BY: BM
DRAWN BY: CF
CAD DATE: 04/22/19

DRAWING NAME:
PLAN VIEW
IB3 AND CD3

PROJECT NUMBER:
PROJECT DATE: 08/19/19
DRAWING NUMBER:
B1.1.04



ALL CONVEYOR AND ASSOCIATED COMPONENTS TO BE DEMOLISHED.



3520 AIRPORT BLVD
WEST COLUMBIA, SC 29170



Foth Infrastructure & Environmental, LLC
3501 Air Commerce Drive
Columbia, SC 29170
Ph: (803) 259-4544



Miller
Dunwiddie
Information: 803-733-8000
2000 Riverchase Lane, Suite 100
Birmingham, Alabama 35244



JSM
& Associates
730 East 5th Avenue
Mount Dora, FL 32757
Office: 352.383.2800

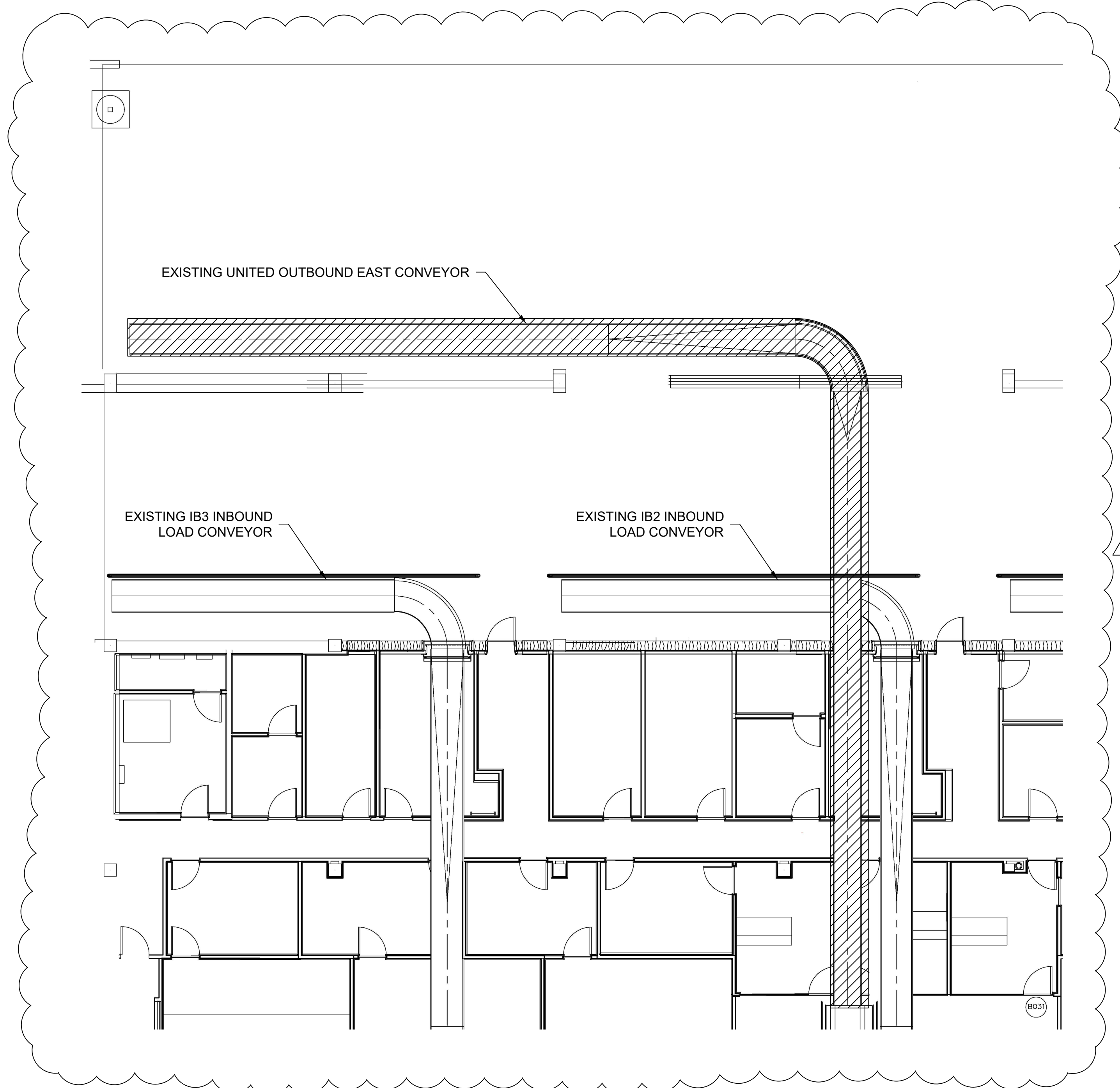
COLUMBIA METROPOLITAN
AIRPORT
2019 INBOUND BHS
IMPROVEMENTS

No.	Date	Description
△	5/17/19	ADDENDUM 1 CONFORMING SET

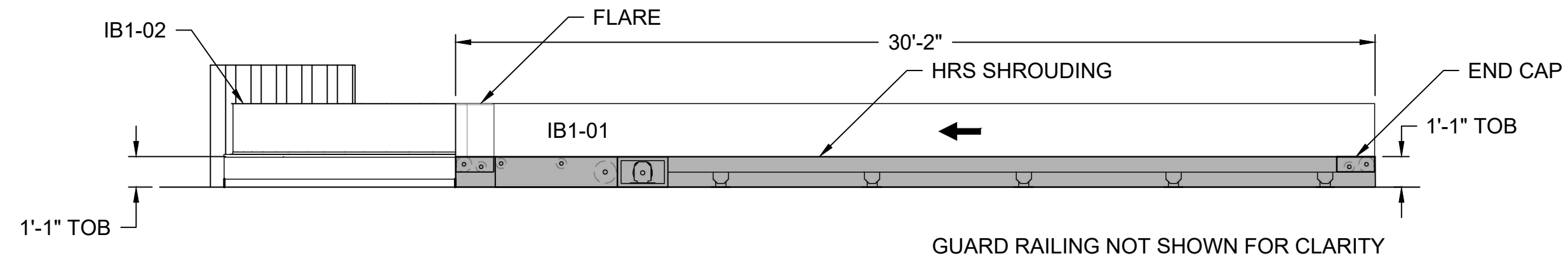
JOB NUMBER: _____
DESIGNED BY: CF
CHECKED BY: BM
DRAWN BY: CF
CAD DATE: 04/22/19

DRAWING NAME:
PLAN VIEW
UNITED OUTBOUND
DEMO

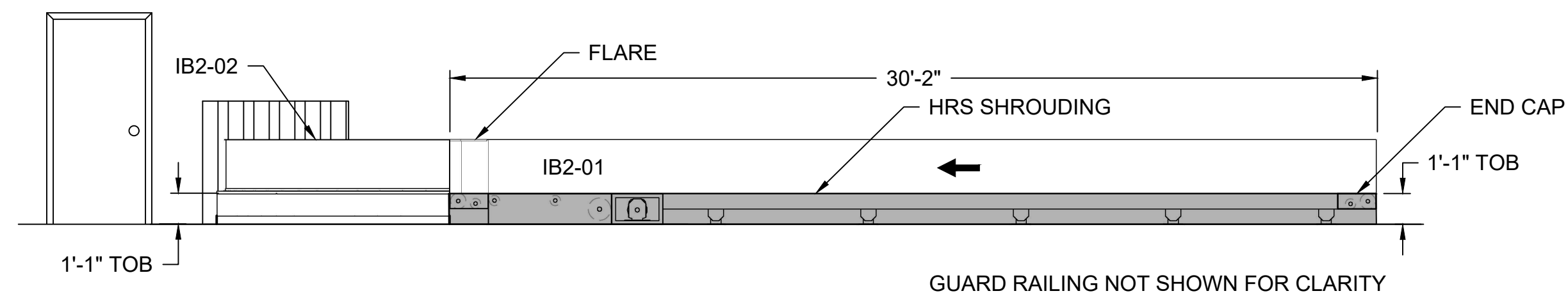
PROJECT NUMBER:
PROJECT DATE: 05/19/19
DRAWING NUMBER:
B1.1.05



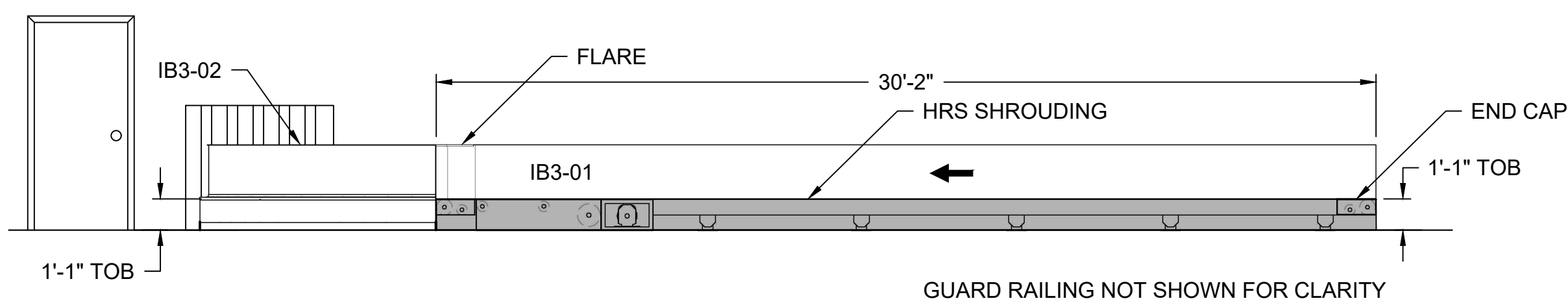
PLAN VIEW - UNITED OUTBOUND EAST DEMO
SCALE: 1/8" = 1'-0"



1 ELEVATION VIEW - IB1-01 AND IB1-02
SCALE: 1/4= 1'-0"



2 ELEVATION VIEW - IB2-01 AND IB2-02
SCALE: 1/4= 1'-0"



3 ELEVATION VIEW - IB3-01 AND IB3-02
SCALE: 1/4= 1'-0"

**COLUMBIA METROPOLITAN
AIRPORT
2019 INBOUND BHS
IMPROVEMENTS**

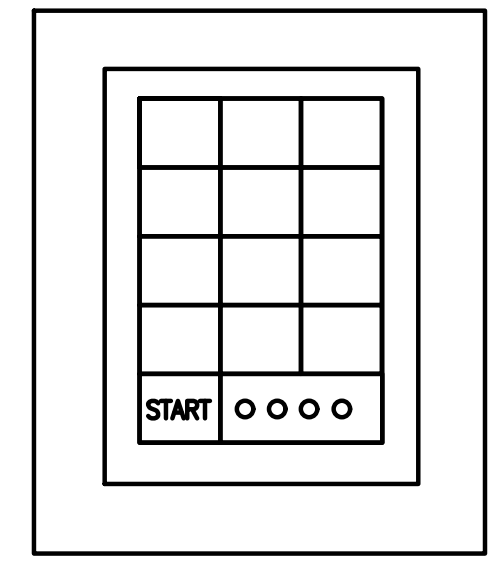
No.	Date	Description
		CONFORMING SET

JOB NUMBER: _____
DESIGNED BY: CF
CHECKED BY: BM
DRAWN BY: CF
CAD DATE: 04/22/19

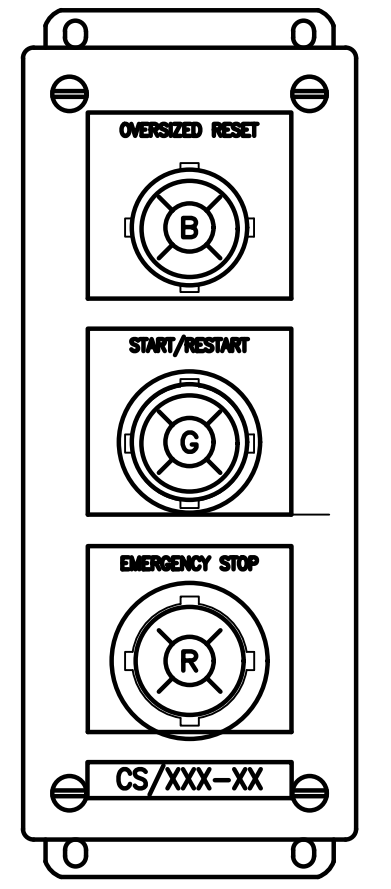
DRAWING NAME:
ELEVATIONS
LOAD CONVEYORS
IB1, IB2 AND IB3

PROJECT NUMBER:
PROJECT DATE: 08/19/19
DRAWING NUMBER:
B4.1.01

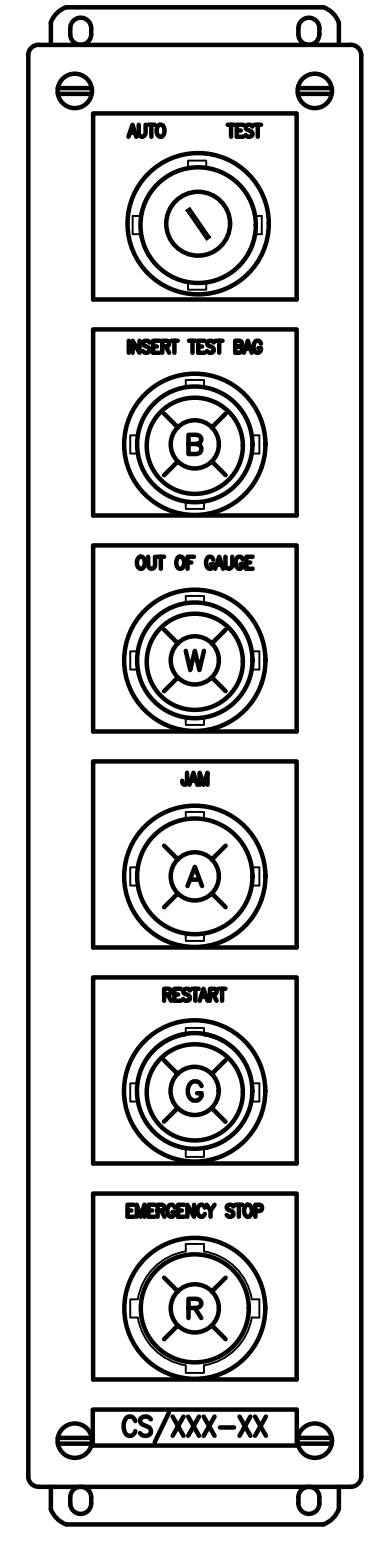
FIELD DEVICES



SECURITY SYSTEM KEYPAD (BY OWNER) - LOCATED AT LOAD/UNLOAD POSITIONS WHERE THE SYSTEM MAY BE STARTED

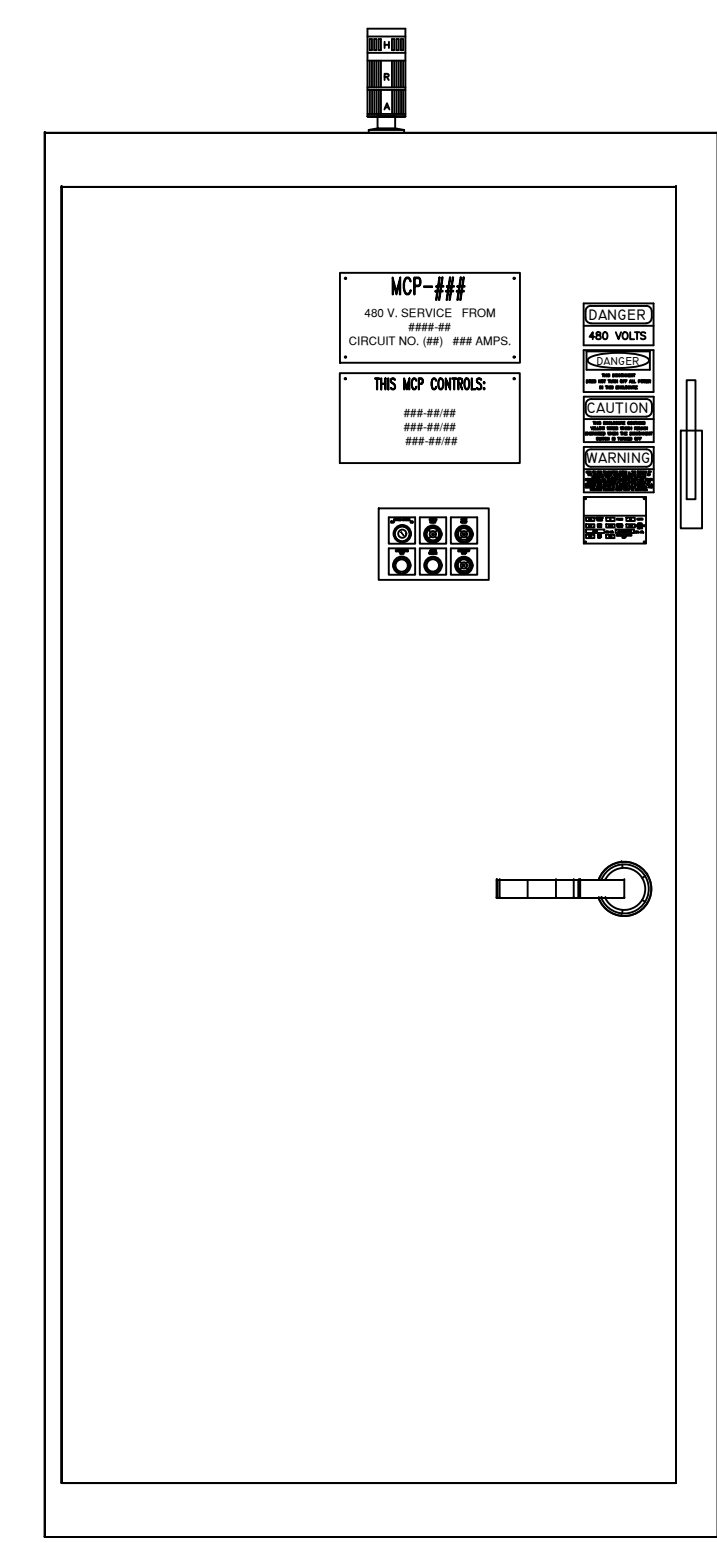


TYPE 1 : NON-PUBLIC LOAD CONVEYOR LOCATIONS

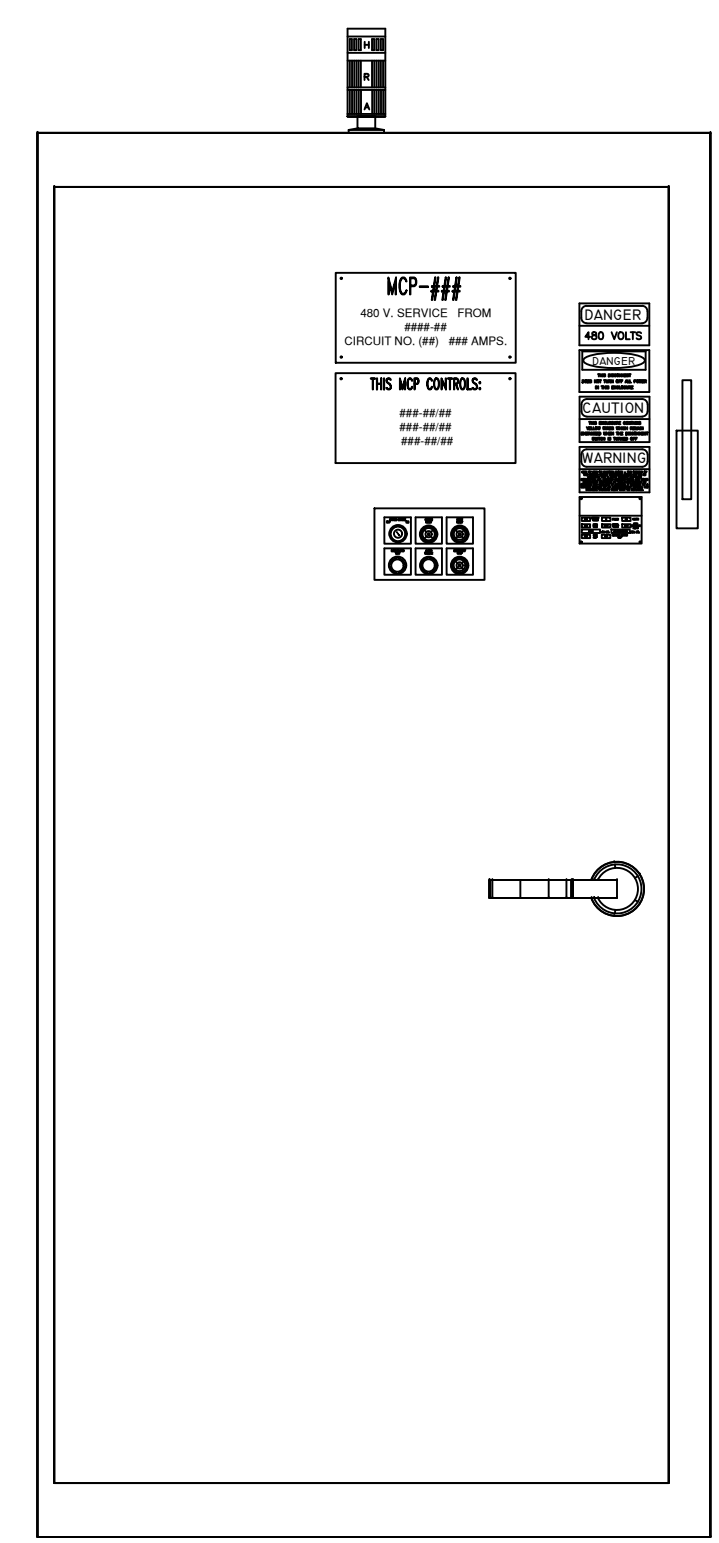


TYPE 2 : DOOR MAINTENANCE LOCATIONS

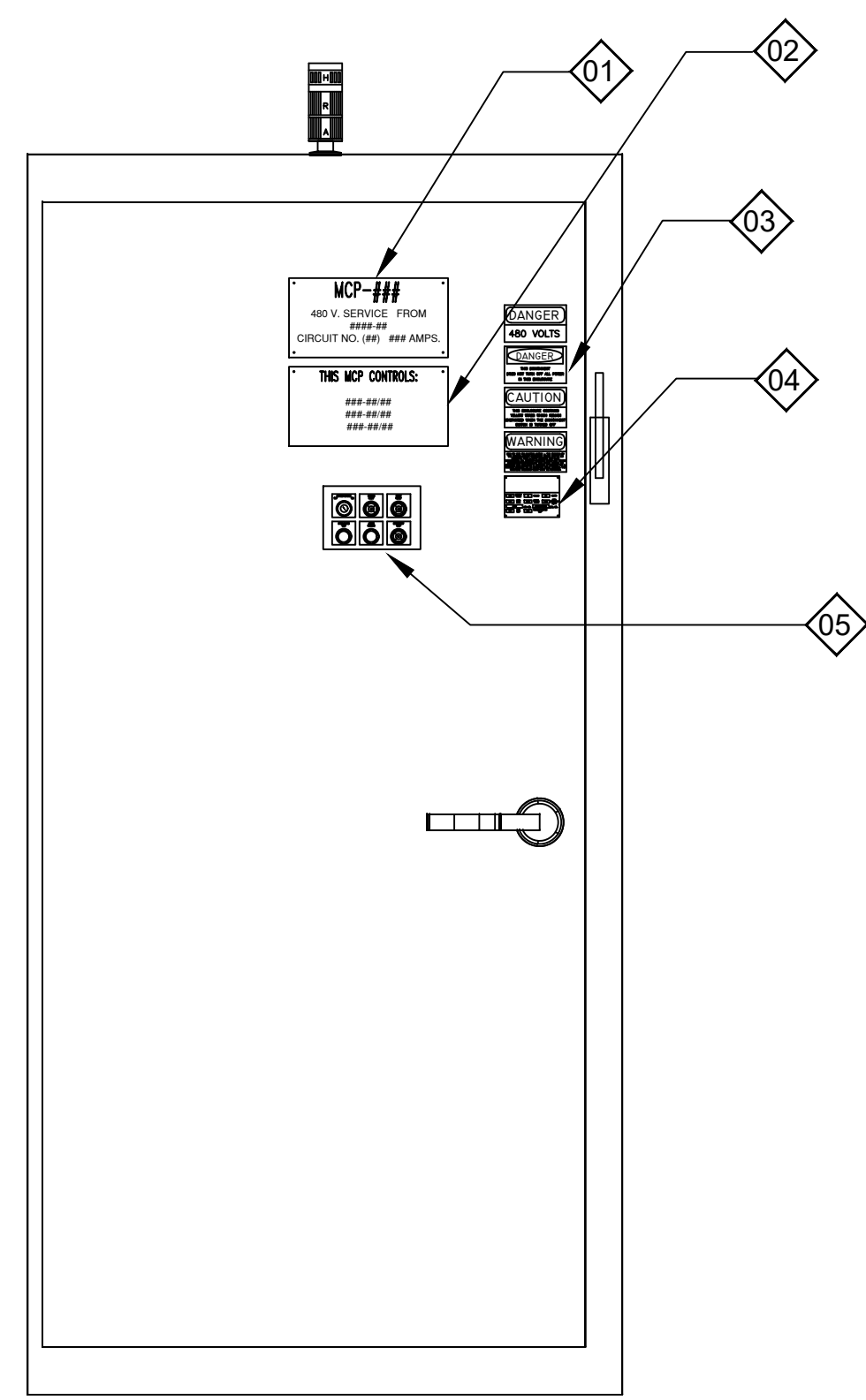
MOTOR CONTROL PANELS



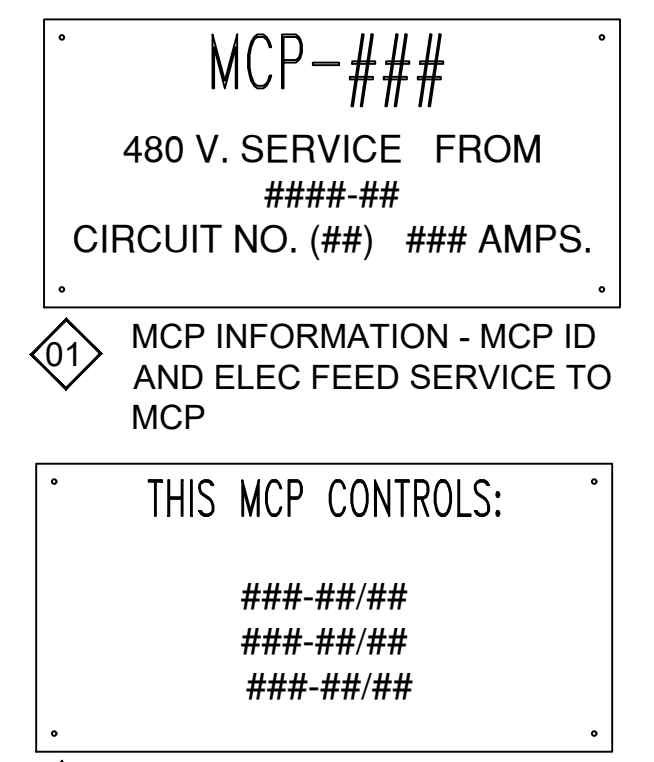
IB1 MCP



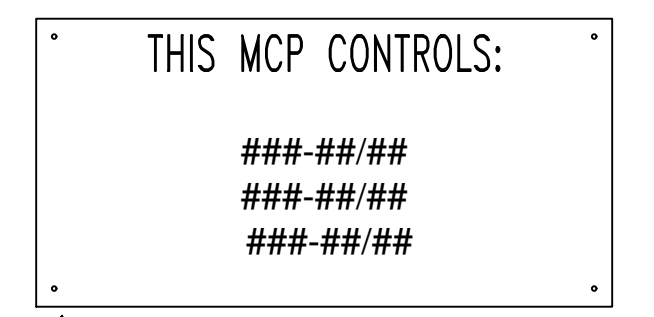
IB2 MCP



IB3 MCP

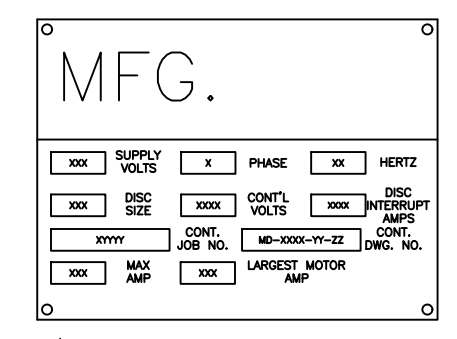


01 MCP INFORMATION - MCP ID AND ELEC FEED SERVICE TO MCP

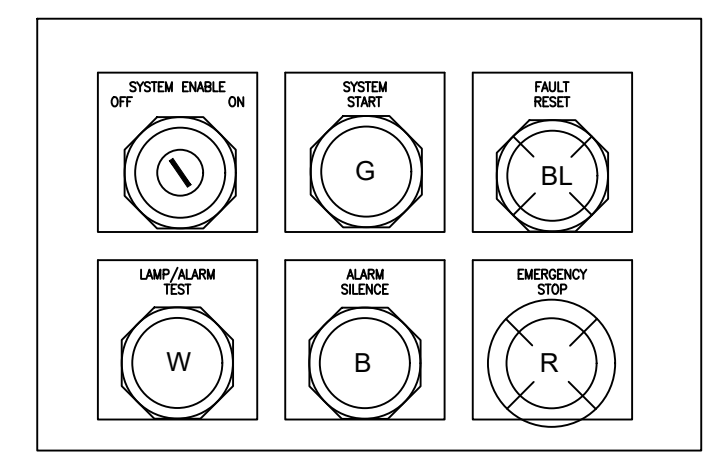


02 SUBSYSTEM - UNIT NUMBERS AND MAJOR DEVICES CONTROLLED BY THIS MCP

03 ELECTRICAL WARNING LABELS AS REQUIRED BY GOVERNING STANDARDS AND AUTHORITIES.



04 MFG. INFORMATION AND DETAILED MCP INFORMATION



05 TYPE 9 CONTROL STATION: MCP DOOR LOCATIONS

MOTOR CONTROL PANELS FOR MAIN 480V POWER FEED, FUSING, LOW VOLTAGE TRANSFORMERS, PLC AND I/O MODULES, MOTOR STARTERS, VFDS, RELAYS, OIT AND ALL OTHER CONTROL RELATED HARDWARE. FINAL SIZING AND INTERNAL DESIGN IS THE RESPONSIBILITY OF THE CONTRACTOR.

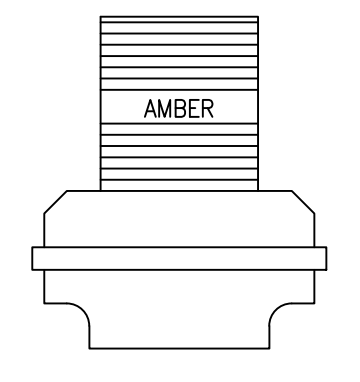
ELECTRICAL DEVICE STANDARDS

CONTROL DEVICES LEGEND

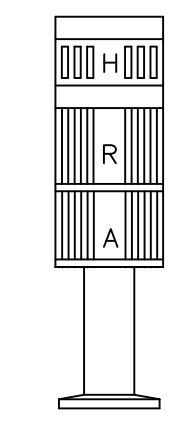
- TWO POSITION SELECTOR-SWITCH
- ILLUMINATED PUSHBUTTON UNIT
- ILLUMINATED INDICATOR LIGHT
- PUSHBUTTON UNIT
- MUSHROOM HEAD EMERGENCY STOP ILLUMINATED PUSH AND PULL RELEASE UNIT
- AUDIBLE ALARM
- KEY SWITCH

CONTROL PANEL OPERATOR ABBREVIATIONS

- R - RED, A - AMBER, G - GREEN, Y - YELLOW
- W - WHITE, B - BLACK, BL - BLUE, GY - GRAY



ALARM BEACON AND HORN : FAULT, LOCATED ON CLAIM DEVICES BELTS.



MCP LOCATION STACK LIGHT: LOCATED ON MCPS. ACTIVATED FOR ESTOPS, FAULTS AND START-UPS.



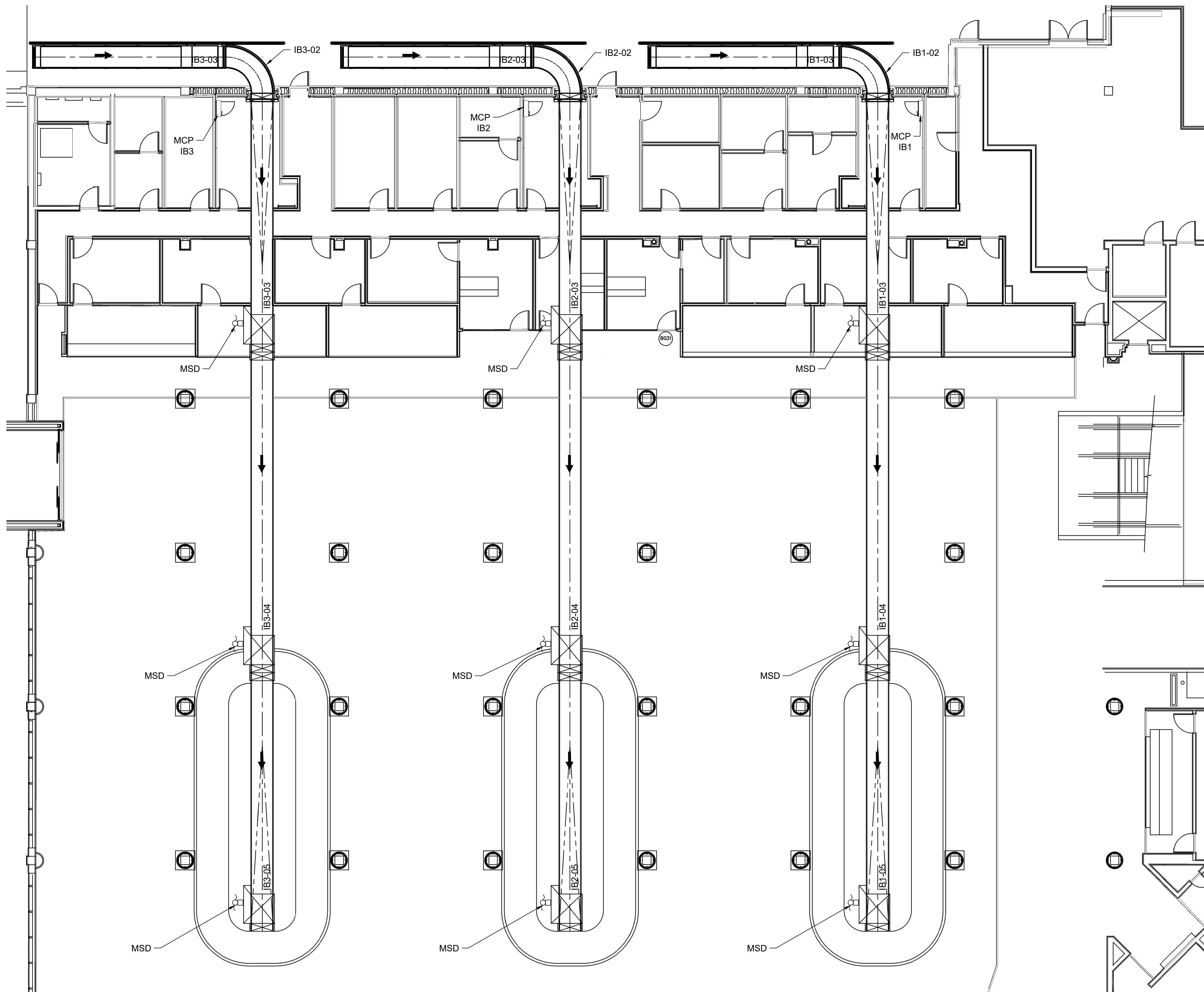
COLUMBIA METROPOLITAN AIRPORT 2019 INBOUND BHS IMPROVEMENTS

No.	Date	Description
		CONFORMING SET

JOB NUMBER: _____
 DESIGNED BY: CF
 CHECKED BY: BM
 DRAWN BY: CF
 CAD DATE: 04/22/19

DRAWING NAME:
 ELECTRICAL DEVICE STANDARDS

PROJECT NUMBER:
 PROJECT DATE: 05/19/19
 DRAWING NUMBER:
B5.1.00



- NOTES:
1. REPLACE MCPs AND ASSOCIATED COMPONENTS.
 2. SEE B5.1.02 FOR SYMBOL LEGEND
 3. RE-USE EXISTING CONTROL STATIONS FOR IB1-03/05, IB2-03/05, IB3-03/05.
 4. REPLACE ALL PHOTOEYES WITH NEW
 5. INSTALL NEW MOTOR DISCONNECTS AT THE DRIVES.
 6. EXISTING RACEWAY/CONDUIT CAN BE RE-USED.

PLAN VIEW - ELECTRICAL COMPONENTS
SCALE: 1/8" = 1'-0"



COLUMBIA METROPOLITAN AIRPORT
2019 INBOUND BHS IMPROVEMENTS

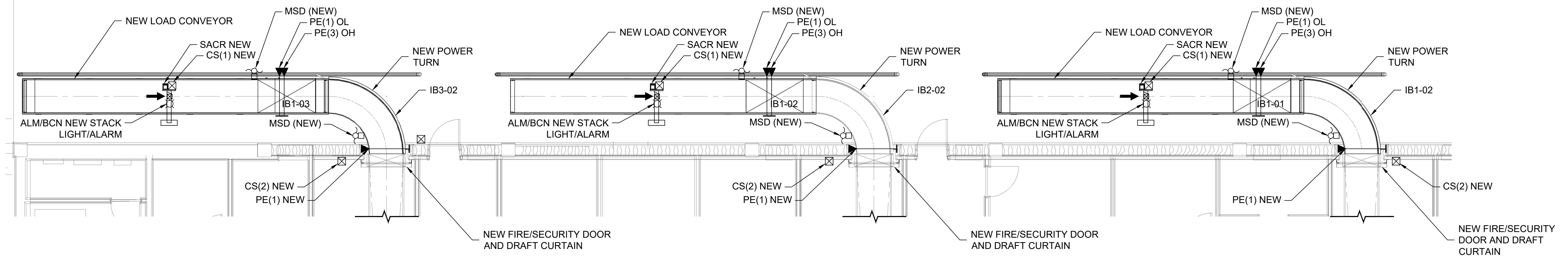
No.	Date	Description
CONFORMING SET		

JOB NUMBER: _____
DESIGNED BY: CF
CHECKED BY: BM
DRAWN BY: CF
CAD DATE: 04/22/19

DRAWING NAME:
PLAN VIEW - ELECTRICAL COMPONENTS

PROJECT NUMBER:
PROJECT DATE: 08/19/19
DRAWING NUMBER:
B5.1.01

**COLUMBIA METROPOLITAN
AIRPORT
2019 INBOUND BHS
IMPROVEMENTS**



NOTES:

1. INSTALL NEW CONTROL STATION AND OTHER FIELD DEVICES FOR IB1-01/02, IB2-01/02, IB3-01/02.
2. INSTALL NEW FIRE/SECURITY DOORS INCLUDING CONTROL STATIONS AND ASSOCIATED FIELD DEVICES.

ABBREVIATION LEGEND:

PE(1) CASCADE STOP/JAM PHOTOEYE
PE(2) DOOR OBSTRUCTION PHOTOEYE
PE(3) OVERHEIGHT DETECTION PHOTOEYE
PE(5) DOOR OPEN PHOTOEYE
PE(6) DOOR CLOSED PHOTOEYE
CS(1) LOAD BELT CONTROL STATION
CS(2) DOOR CONTROL STATION

SYMBOL LEGEND:

PE (PHOTOEYE)
PE (DOOR OPEN / CLOSE)
CS (CONTROL STATION)
MSD (MOTOR SAFETY DISCONNECT)
LS (LIMIT SWITCH)
ENC (SHAFT ENCODER)
SACR (SECURITY ACCESS CARD READER)
BEACON / AUDIBLE ALARM

PLAN VIEW - ELECTRICAL COMPONENTS

SCALE: 3/16" = 1'-0"

No.	Date	Description
		CONFORMING SET

JOB NUMBER: _____
DESIGNED BY: CF
CHECKED BY: BM
DRAWN BY: CF
CAD DATE: 04/22/19

DRAWING NAME:
PLAN VIEW - ELECTRICAL COMPONENTS

PROJECT NUMBER:
PROJECT DATE: 05/19/19
DRAWING NUMBER:
B5.1.02

BHS SUPPORT ATTACHMENT

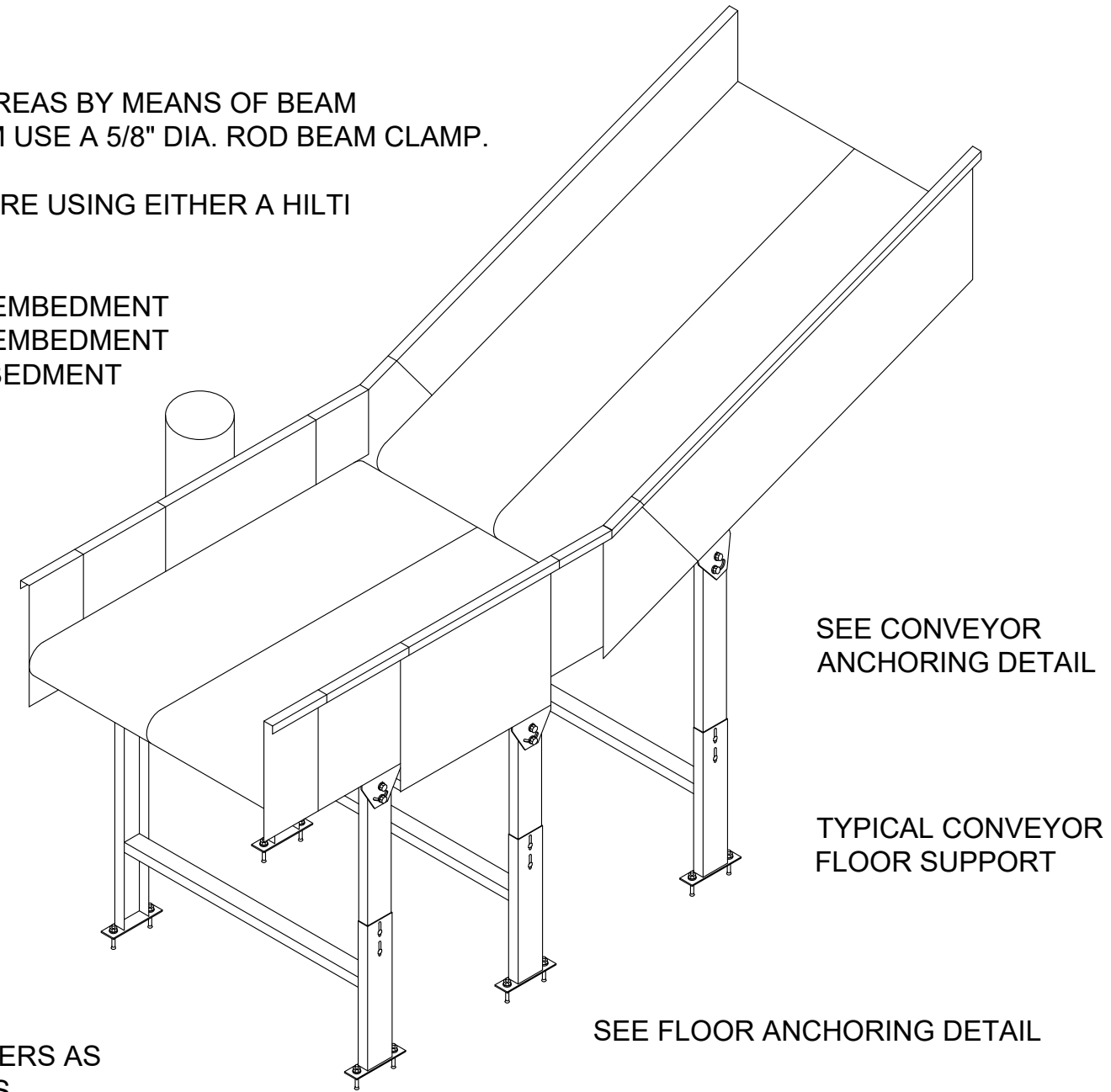
1. CONNECT THE CONVEYORS TO NEW STEEL FRAME AREAS BY MEANS OF BEAM CLAMPS SIZED FOR THE BOTTOM FLANGE OF THE BEAM USE A 5/8" DIA. ROD BEAM CLAMP.
2. CONNECTING TO THE EXISTING CONCRETE STRUCTURE USING EITHER A HILTI "KWIK BOLT" OR RAWLING "RAWL-STUD" AS FOLLOWS:

- 1000 LBS LOAD - USE 3/8" DIA. (MIN.) WITH 2 1/2" (MIN.) EMBEDMENT
- 1500 LBS LOAD - USE 1/2" DIA. (MIN.) WITH 3 1/2" (MIN.) EMBEDMENT
- 2000 LBS LOAD - USE 5/8" DIA. (MIN.) WITH 4" (MIN.) EMBEDMENT

ALL WITH A MIN. SPACING OF 12"

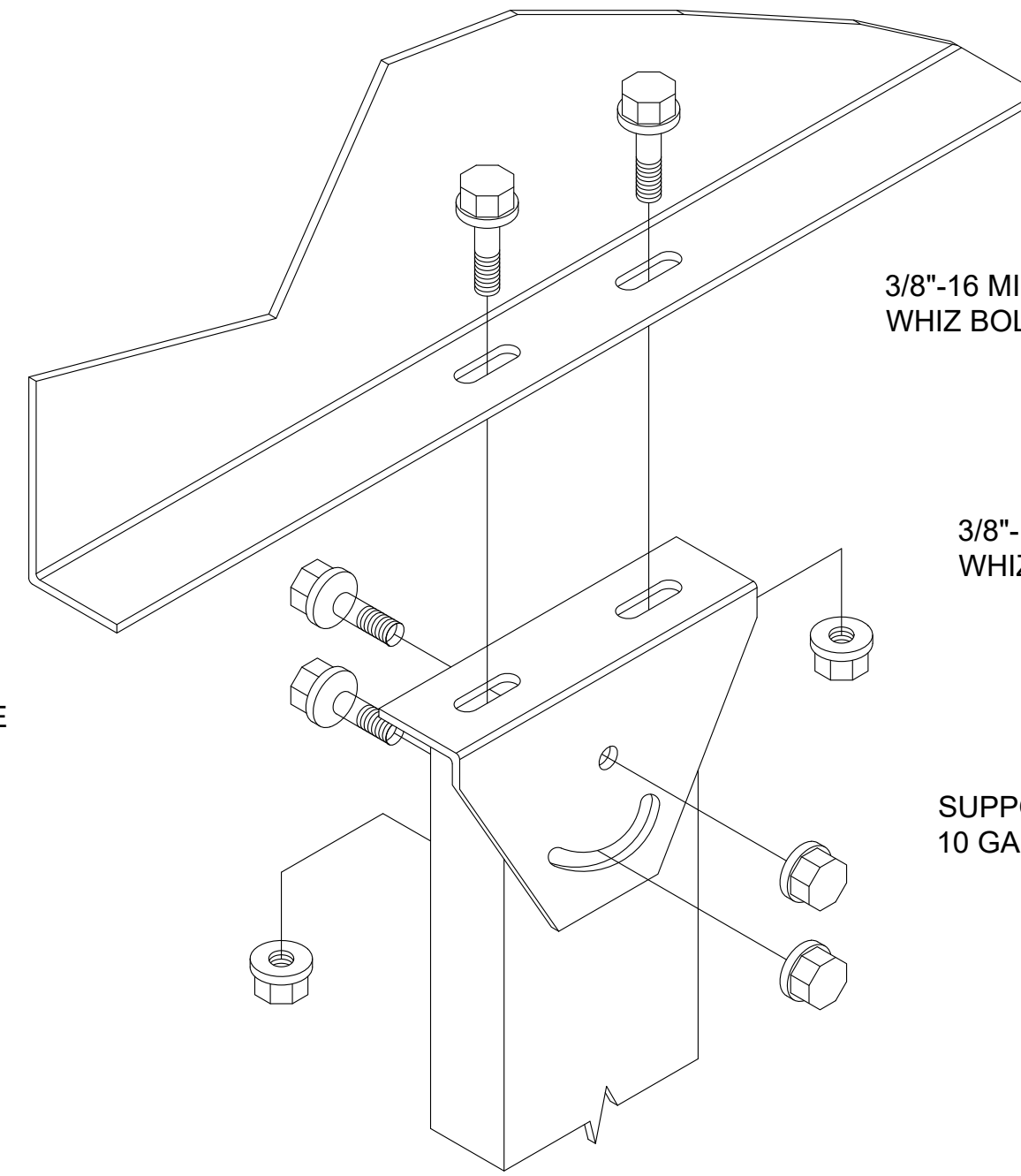
VERTICAL SUPPORT CHANNEL 1 PER SIDE AT 10'-0" MAX. O/C (5'-0" O/C AT LOAD/UNLOAD BELTS).

PROVIDE SUPPORT CROSS MEMBERS AS REQUIRED FOR VARIOUS HEIGHTS

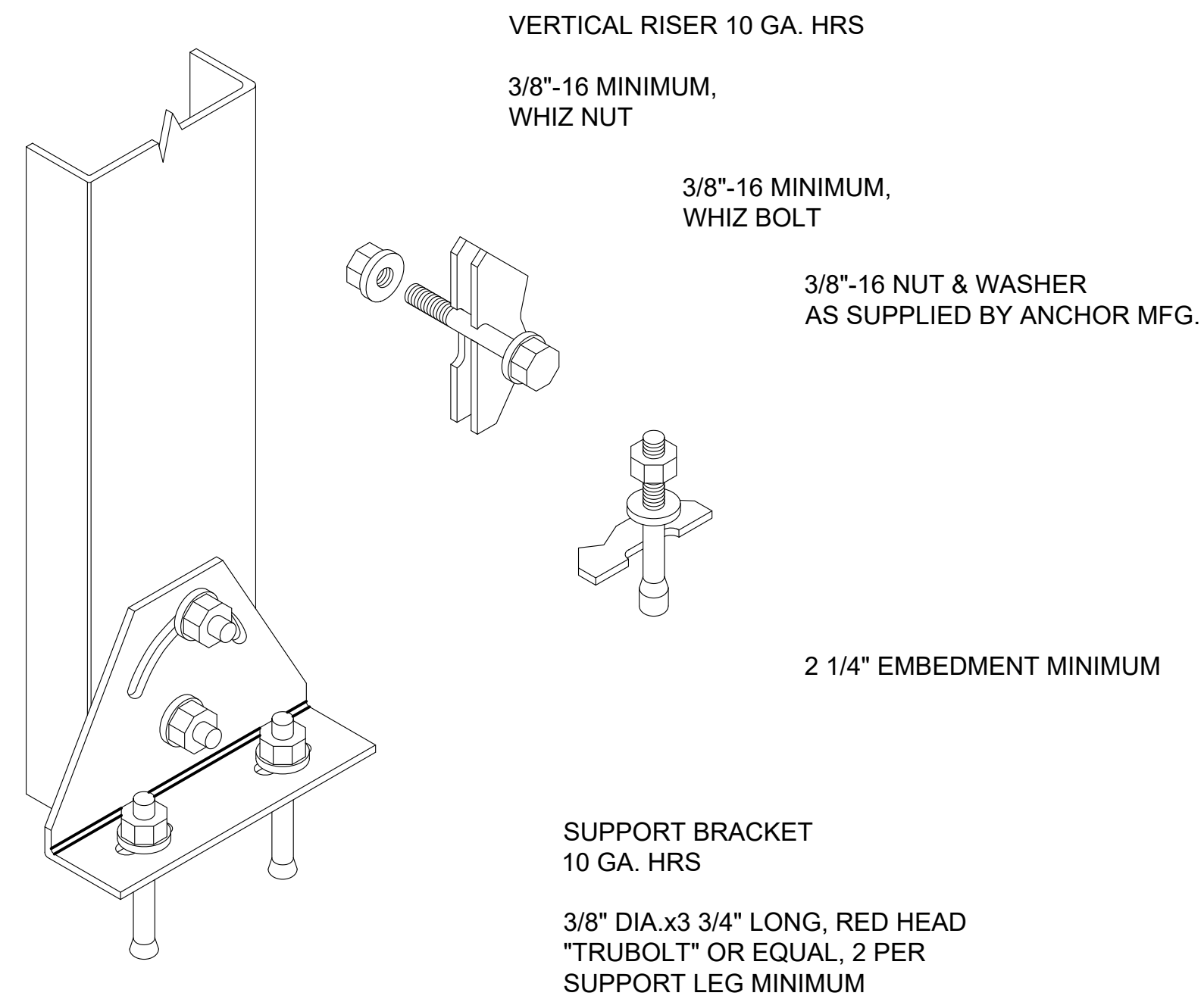


01
B6.1.00 TYPICAL FLOOR SUPPORT
SCALE: NTS

BOTTOM FLANGE OF CONVEYOR



02
B6.1.00 TYPICAL SUPPORT CONVEYOR ANCHORING DETAIL
SCALE: NTS



03
B6.1.00 TYPICAL FLOOR SUPPORT ANCHORING DETAIL
SCALE: NTS

FLOOR COMPONENT DETAILS

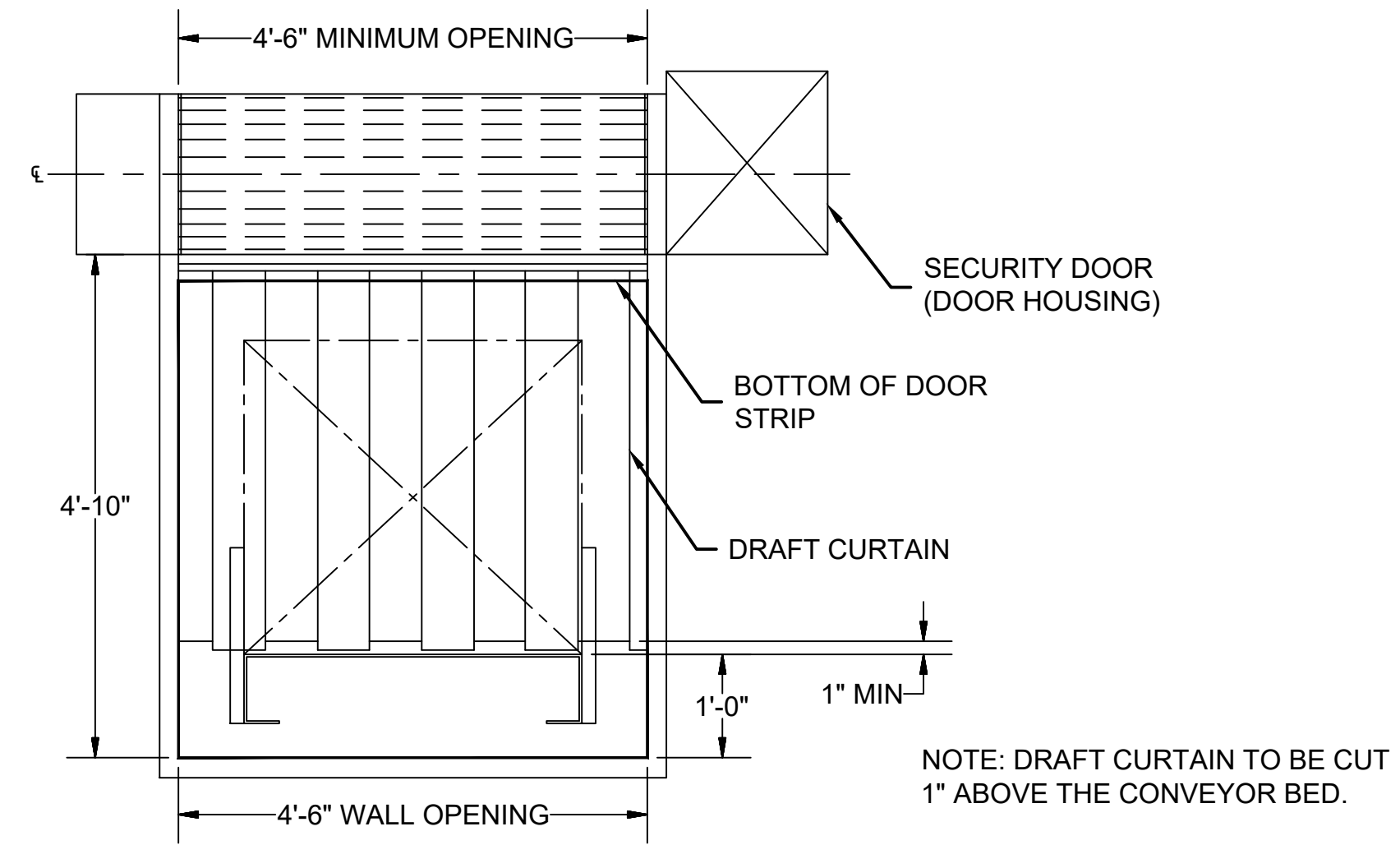
SCALE: NTS

No.	Date	Description
CONFORMING SET		

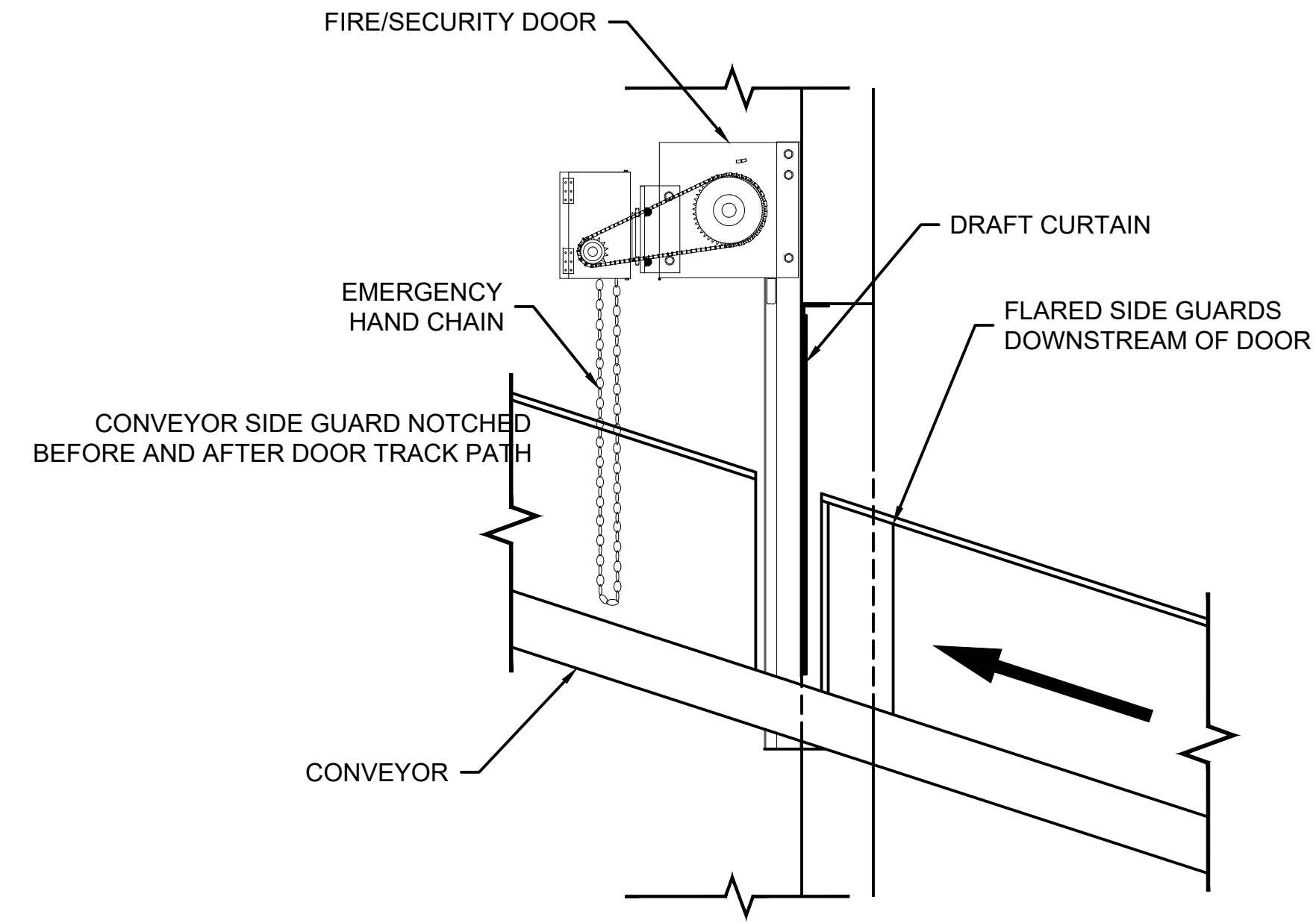
JOB NUMBER: _____
DESIGNED BY: CF
CHECKED BY: BM
DRAWN BY: CF
CAD DATE: 04/22/19

DRAWING NAME:
FLOOR COMPONENT DETAILS

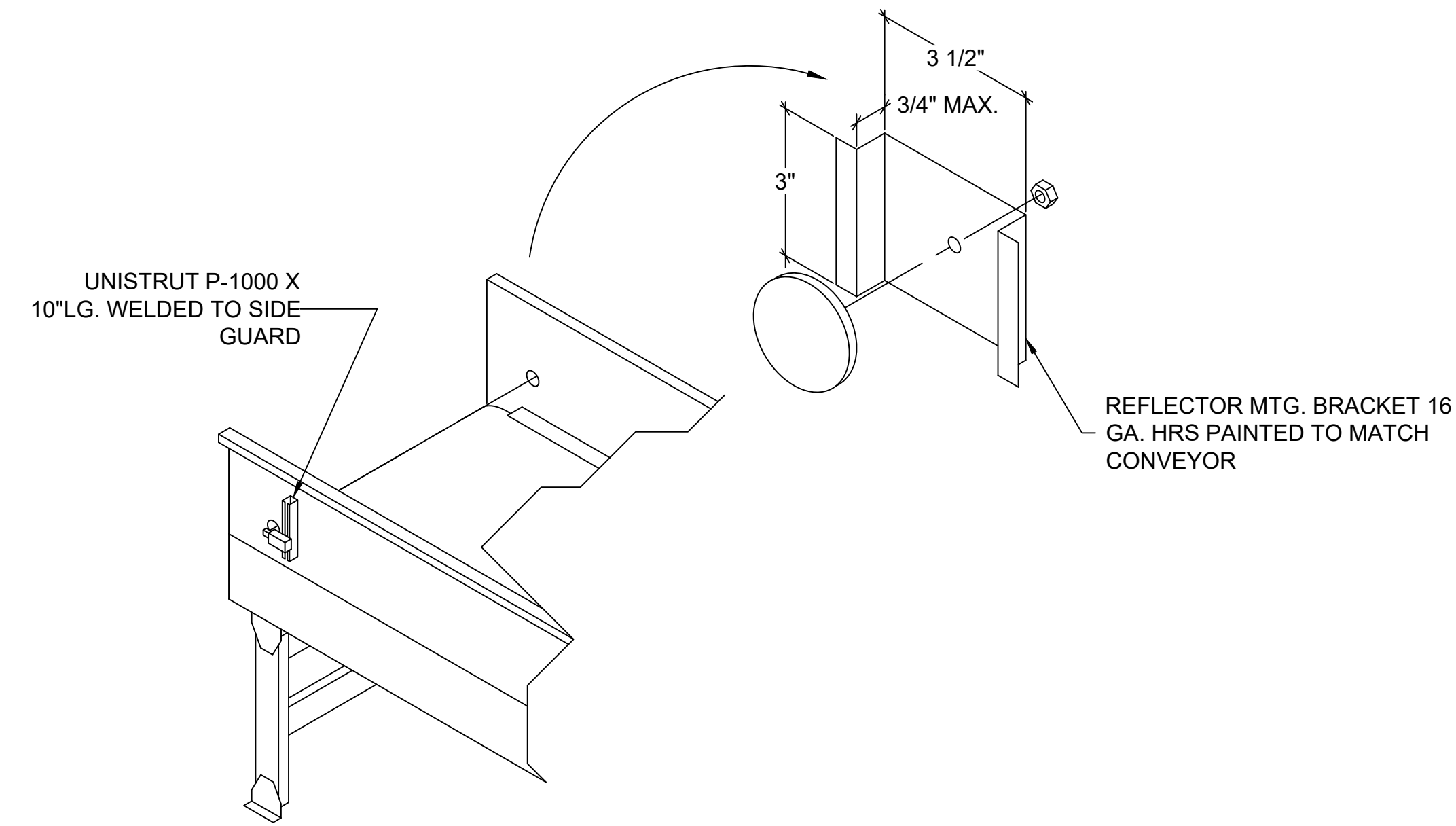
PROJECT NUMBER:
PROJECT DATE: 05/19/19
DRAWING NUMBER:
B6.1.00



01 TYPICAL DRAFT CURTAIN (FRONT VIEW)
 B6.1.01 SCALE: NTS



02 TYPICAL WALL PENETRATION
 B6.1.01 SCALE: NTS



03 TYPICAL PHOTO EYE
 B6.1.01 SCALE: NTS

DOOR DETAILS
 SCALE: NTS

**COLUMBIA METROPOLITAN
 AIRPORT
 2019 INBOUND BHS
 IMPROVEMENTS**

No.	Date	Description
CONFORMING SET		

JOB NUMBER: _____
 DESIGNED BY: CF
 CHECKED BY: BM
 DRAWN BY: CF
 CAD DATE: 04/22/19

DRAWING NAME:
 DOOR DETAILS

PROJECT NUMBER:
 PROJECT DATE: 08/19/19
 DRAWING NUMBER:
 B6.1.01